

# PW 1500 W



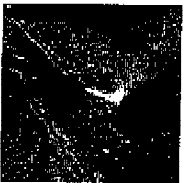
See more cleaners for full list of use



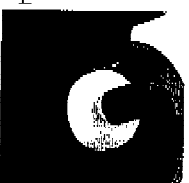
1



2



1 and 2 - Built-in accessories holder - *Portaccessori*  
 2 - Built-in power supply cord reel - *Avvolgicavo*



3



**TIME**

Max Pressure 110 bar (Pressione max)

Water Flow rate 360 lt/h (Portata)

Connected load 1500 W (Potenza)

AR Code (Codice AR) 12211

Box dimensions (Dim. scatola) 40x30x62 cm

Weight (Peso) 8 kg

Qty pallet 24 - per container: 264 (20ft) / 528 (40ft)

- truck (camion) 768

3 Axial-piston wobble-plate pump - Automatic safety valve with low pressure by-pass - Detergent injector kit - Water filter - Total Stop System

*Pompa a 3 pistoni assiali comandati dal piattello oscillante - Valvola di sicurezza automatica con riciclo a bassa pressione - Kit aspirazione detergente - Filtri acqua - TSS*

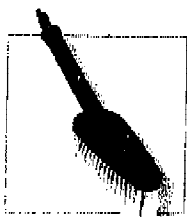
**STANDARD ACCESSORIES**

Spray lance vario  
 Hóse Length mt 4  
 Detergent Bottle

**ACCESSORI STANDARD**  
 Lancia spray regolabile  
 Tubo alta pressione mt 4  
 Serbatoio detergente

**OPTIONAL ACCESSORIES - ACCESSORI OPZIONALI**

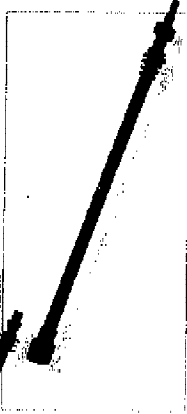
- 4 - Wash Brush kit cod. 40514
- 5 - Pipe Drain Kit cod. 40517
- 6 - Roller Brush Chem Kit cod. 40515
- 7 - Foam with Turbo Nozzle & Underbody Nozzle Kit cod. 40516
- 8 - Extension Hose Kit cod. 40519
- 9 - Spinner Kit cod. 40520
- 10 - Spinner Chem Kit cod. 40521



4



5



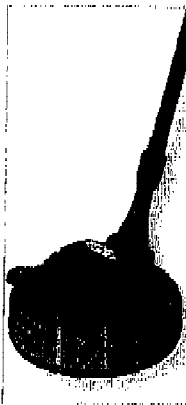
6



7



8

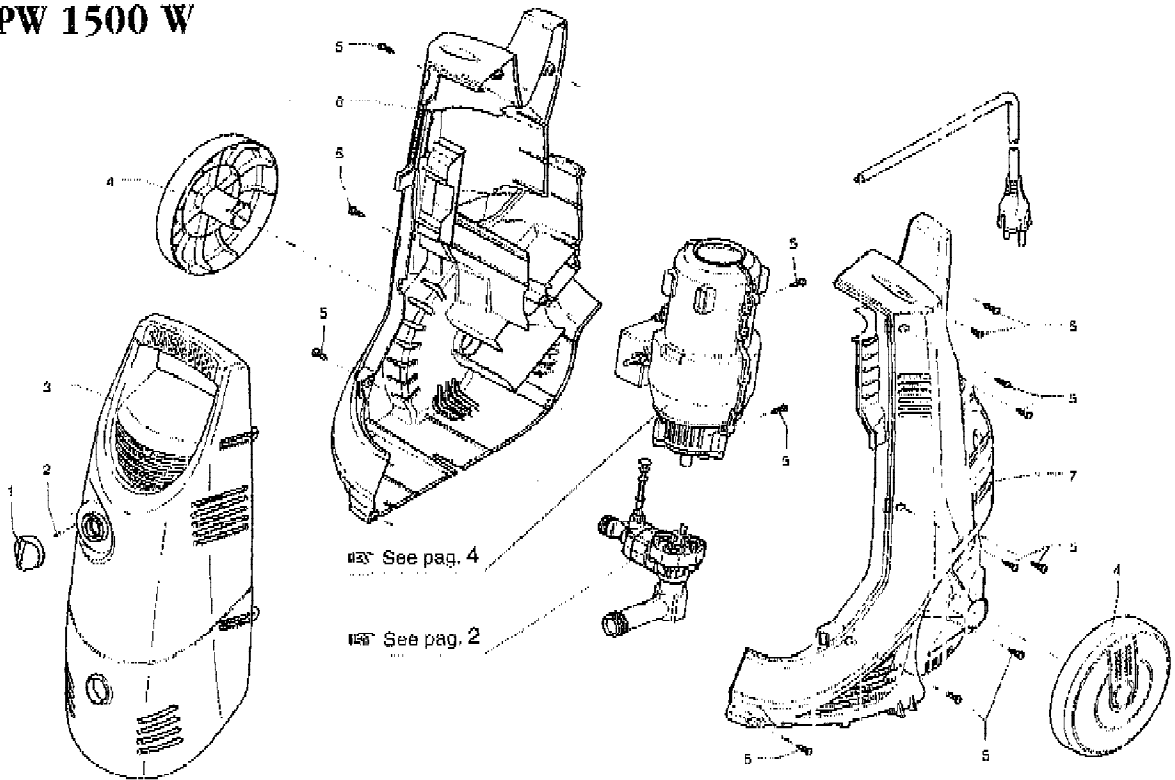


9



10

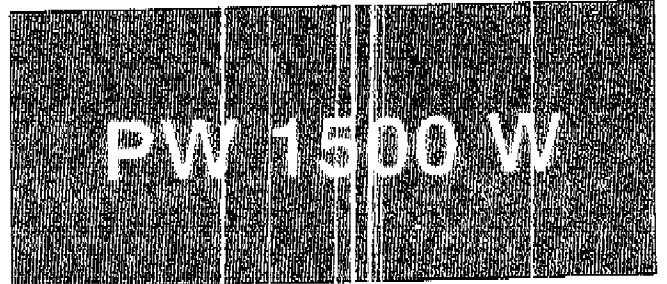
# PW 1500 W



UN001550-NB

1

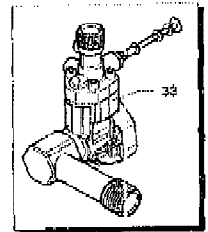
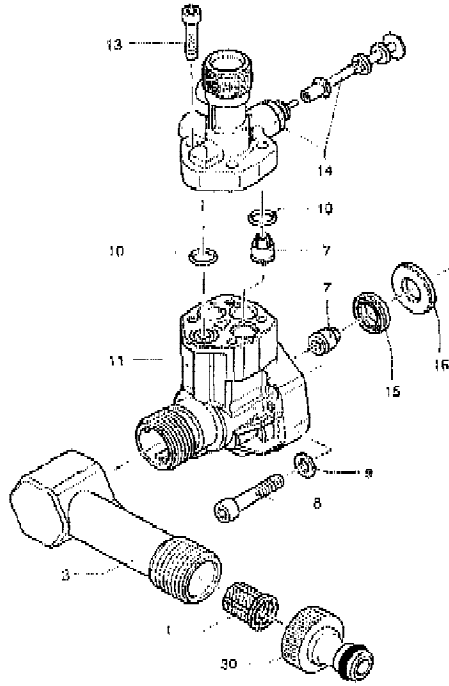
Pos.	Cod. Part n°	Denominazione	Description	Q.tà Q.ty	Note Vedi / Sec
1	2560380	Mancopola interruttore	Switch knob	1	
2	2560490	Spina elastica	Pin	1	
3	2860015	Cuscinio anteriore arancio	Orange ant. casing	1	
4	3440071	Ruota a 160	Driven gear	2	
5	2110300	Vite antef. 5x10	Screw	16	
6	2860030	Carter sinistro	Left casing	1	
7	2860020	Carter destro	Right casing	1	



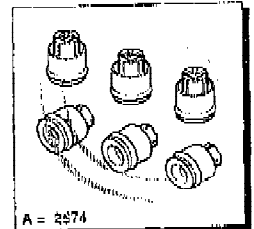
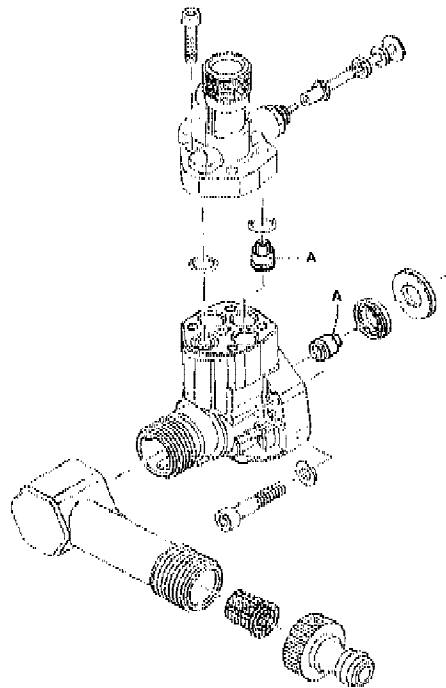
## Legenda

Kein Dreackträser

part for PW 1500 W



UN001551-NB



A = 2574

UN001552-NB

© 2000 United Technologies Corporation. All rights reserved. This document is the property of United Technologies Corporation. It is to be used for the purpose specified and is not to be distributed, copied, or reproduced in any form without the prior written permission of United Technologies Corporation.

## MODELLO / MODEL: PW 1500 W

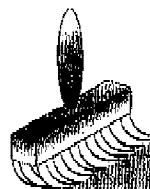
Pos.	Cod. Part n°	Denominazione	Description	Q.tà Q.ty	Note Vegli / See	Pos.	Cod. Part n°	Denominazione	Description	Q.tà Q.ty	Note Vegli / See
1	1340260	Filtro aspirazione acqua	Water suction filter	1							
3	2560700	Ricordo aspirazione	Suction fitting	1							
7	1109050	Valvola completa	Complete valve	6							
8	850850	Vite TCEI M 6x30	Screw	3							
9	2460690	Rondella ø 6,4	Washer	3							
10	880940	OR ø 9,25x1,78	O-Ring	4							
11	2560450	Testa pompa	Pump head	1							
13	2560720	Vite TC M 5x20	Screw	4	Autoformante						
14	2247	Prem. raccordo operata	Outlet fitting assembly	1							
15	2101120	Guarnizione ø 12x18	Gasket	3							
16	2020041	Anello appoggio guarn.	Gasket support ring	3							
30	1461470	Innesto raccordo-guarn.	Attachment for top-gasket	1	MOTOFIT						
33	2306	Kit prem. testa + TSS	Head assembly - TSS kit	1							

### KIT RICAMBI / PART KITS

A=KIT 2574 Alcove valves							
Pos.	Q.ty	Pos.	Q.ty	Pos.	Q.ty	Pos.	Q.ty
7	6						
Pos.	Q.ty	Pos.	Q.ty	Pos.	Q.ty	Pos.	Q.ty

### Legenda

Disenser 240516



**Ricambi consigliati**  
**Recommended parts**



