

R 434

R 484

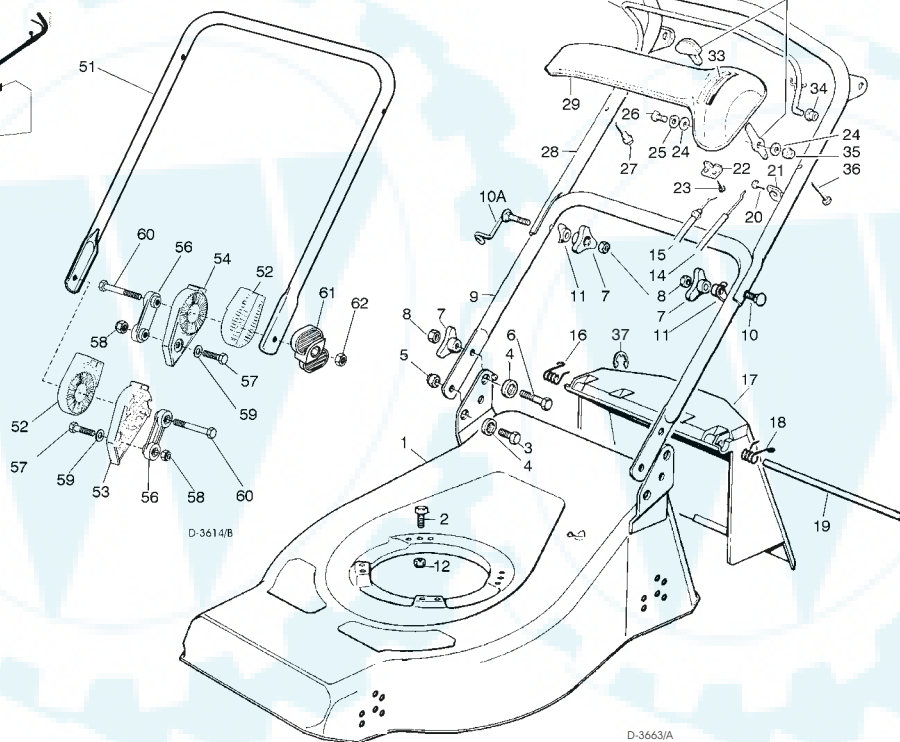
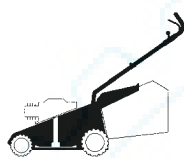
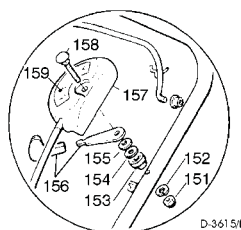
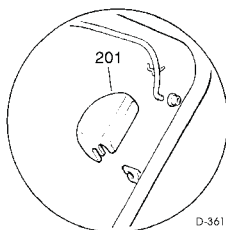
R 534

CHASSIS
MANICO
COMANDI
DOTAZIONE VITERIE

DECK
HANDLE
CONTROLS
SCREWS OUTFITS

CHÂSSIS
MANCHERON
COMMANDES
DOTATION VISSERIE

GEHÄUSE
HOLM
BETÄTIGUNGEN
SCRAUBENSATZ



SPARE PARTS CATALOGUE

ERSATZTEILKATALOG

GB

D

CATALOGO DELLE PARTI
DI RICAMBIO

CATALOGUE DES PIÈCES
DE RECHANGE

I

F

T-3663/A

Pos. Nr.	Code Code Kodex	Q.tà Q.ty-Q.tè Menge	Descrizione	Description	Description	Beschreibung
1		1	CHASSIS	DECK	CHÂSSIS	GEHÄUSE
—	81000950/1	1	ROSSO R 434	RED R 434	OUGE R 434	ROTES R 434
—	81000988/1	1	GIALLO R 434	YELLOW R 434	JAUNE R 434	GELBES R 434
—	81001542/1	1	VERDE R 434	GREEN R 434	VERT R 434	GRÜNES R 434
—	81000952/0	1	ROSSO R 484	RED R 484	OUGE R 484	ROTES R 484
—	81000991/0	1	GIALLO R 484	YELLOW R 484	JAUNE R 484	GELBES R 484
—	81001543/0	1	VERDE R 484	GREEN R 484	VERT R 484	GRÜNES R 484
—	81001717/0	1	ROSSO R 534	RED R 534	ROUGE R 534	ROTES R 534
—	81001718/0	1	GIALLO R 534	YELLOW R 534	JAUNE R 534	GELBES R 534
—	81001719/0	1	VERDE R 534	GREEN R 534	VERT R 534	GRÜNES R 534
2			VITE	SCREW	VIS	SCHRAUBE
—	12793700/0	3/2	(M8x30)	(M8x30)	(M8x30)	(M8x30)
—	12691800/0	0/1	(M8x60)	(M8x60)	(M8x60)	(M8x60)
3		2	VITE	SCREW	VIS	SCHRAUBE
4		4	BUSSOLA	BUSH	DOUILLE	BUCHSE
5		2	DADO	NUT	ECROU	MUTTER

Pos. Nr.	Code Code Kodex	Q.tà Q.ty-Q.tè Menge	Descrizione	Description	Description	Beschreibung
6	12793700/0	2	VITE	SCREW	VIS	SCHRAUBE
7	22399900/0	4	MANOPOLINA	KNOB	POIGNÉE	GRIFF
8	12293200/0	4	DADO	NUT	ECROU	MUTTER
9	81006512/0	1	PARTE INF. MANICO	LOWER HANDLE	PARTIE INF. MANCHERON	UNTERHOLM
10	12819201/0	1	VITE	SCREW	VIS	SCHRAUBE
10A	81003801/0	1	MOLLA GUIDA	SPRING	RESSORT	FEDER
11	22680006/1	2	RONDELLA	WASHER	RONDELLE	SCHIBE
12	12293201/0	3/2	DADO	NUT	ECROU	MUTTER
—	12155000/0	0/1	DADO	NUT	ECROU	MUTTER
14	81007160/0	1	CAVO ACCELERATORE	THROTTLE CABLE	CABLE ACCELERATEUR	BESCHLEUNIGER KABEL
15	☛		CAVO FRENO MOTORE	THREAD MOTOR BRAKE	CABLE FREIN MOTEUR	MOTORBREMSEKABEL
—	81000633/0	1	R 434 (QUANTUM XM)	R 434 (QUANTUM XM)	R 434 (QUANTUM XM)	R 434 (QUANTUM XM)
—	81000623/1	1	R434-484 (TECUMSEH)	R 434-484 (TECUMSEH)	R 434-484 (TECUMSEH)	R 434-484 (TECUMSEH)
—	81000631/0	1	R484 (QUANTUM XM-ES 40)	R 484 (QUANTUM XM-ES 40)	R 484 (QUANTUM XM-ES 40)	R 484 (QUANTUM XM-ES 40)
—	81000625/0	1	R 484 (SPRINT 375/QUATTRO)	R 484 (SPRINT 375/QUATTRO)	R 484 (SPRINT 375/QUATTRO)	R 484 (SPRINT 375/QUATTRO)
—	81000641/0	1	R 484 (HONDA GCV 135/160)	R 484 (HONDA GCV 135/160)	R 484 (HONDA GCV 135/160)	R 484 (HONDA GCV 135/160)
—	81000642/0	1	R 534 (QUANTUM XM-ES 40)	R 534 (QUANTUM XM-ES 40)	R 534 (QUANTUM XM-ES 40)	R 534 (QUANTUM XM-ES 40)
—	81000643/0	1	R 534 (SPRINT 375/QUATTRO)	R 534 (SPRINT 375/QUATTRO)	R 534 (SPRINT 375/QUATTRO)	R 534 (SPRINT 375/QUATTRO)
—	81000644/0	1	R 534 (TECUMSEH)	R 534 (TECUMSEH)	R 534 (TECUMSEH)	R 534 (TECUMSEH)
—	81000640/0	1	R 534 (HONDA GCV 135/160)	R 534 (HONDA GCV 135/160)	R 534 (HONDA GCV 135/160)	R 534 (HONDA GCV 135/160)
16	22450410/1	1	MOLLA DX	RIGHT SPRING	RESSORT DROITE	RECHTE FEDER
17	22600028/4	1	PARASASSI	STONE-GUARD	PARE-PIERRES	PRALLBLECH
18	22450420/1	1	MOLLA SX	LEFT SPRING	RESSORT GAUCHE	LINKE FEDER
19	22517906/1	1	PERNO	PIN	PIVOT	BOLZEN
20	12728518/0	1	VITE	SCREW	VIS	SCHRAUBE
21	22806612/0	1	SUPPORTO	SUPPORT	SUPPORT	HALTER
22	22981467/0	1	PIASTRINA	PLAQUE	PLAQUETTE	PLATTE
23	12735105/0	2	VITE	SCREW	VIS	SCHRAUBE
24	12523040/0	2	RONDELLA	WASHER	RONDELLE	SCHIBE
25	12530060/0	1	RONDELLA ELASTICA	SPRING WASHER	RONDELLE ELASTIQUE	ELASTISCHE SCHEIBE
26	12791500/0	1	VITE	SCREW	VIS	SCHRAUBE
27	22943006/0	1	VITE	SCREW	VIS	SCHRAUBE
28	81007018/0	1	PARTE SUP. MANICO	UPPER HANDLE	PARTIE SUP. MANCHERON	OBERHOLM
29	☛		CRUSCOTTO	DASH BOARD	CONSOLE	KONSOLE
—	22120154/0	1	ROSSO	RED	ROUGE	ROTE
—	22120152/0	1	GIALLO	YELLOW	JAUNE	GELBE
—	22120158/0	1	NERO	BLACK	NOIRE	SCHWARZE
30	81003291/2	1	LEVA FRENO MOTORE	BRAKE LEVER	LEVIER FREIN MOTEUR	MOTORBREMSEHEBEL
31	☛		IMPUGNATURA MANICO	HANDGRIP	POIGNÉE	HANDGRIFF
—	22291050/0	1	NERA	BLACK	NOIRE	SCHWARZER
—	22291051/0	1	ROSSA	RED	ROUGE	RÖTER
—	22291052/0	1	GIALLA	YELLOW	JAUNE	GELBER
32	81007280/2	1	ASS. LEVA + MANOPOLINA	LEVER + KNOB ASS. Y	ENS. LEVIER + POIGNÉE	HEBEL + GRIFF SATZ
33	☛		ETICHETTA	LABEL	ETIQUETTE	ETIKETTE
—	14356743/0	1	(TECUMSEH-HONDA)	(TECUMSEH-HONDA)	(TECUMSEH-HONDA)	(TECUMSEH-HONDA)
—	14356744/0	1	(B&S)	(B&S)	(B&S)	(B&S)
34	22041966/0	2	BOCCOLA	BUSH	DOUILLE	BUCHSE
35	12154510/0	1	DADO	NUT	ECROU	MUTTER
36	12728460/0	1	VITE	SCREW	VIS	SCHRAUBE
37	12000930/0	1	ANELLO ELASTICO	SNAP RING	ANNEAU RESSORT	SPRENGRING
—	81008614/1	1	DOTAZIONE VITERIA	SCREWS OUTFIT	DOTATION VISSERIE	SCHRAUBEN SATZ
—	81008609/0	1	DOTAZIONE CRUSCOTTO	DASH-BOARD OUTFIT	DOTATION CONSOLE	KONSOLE SATZ

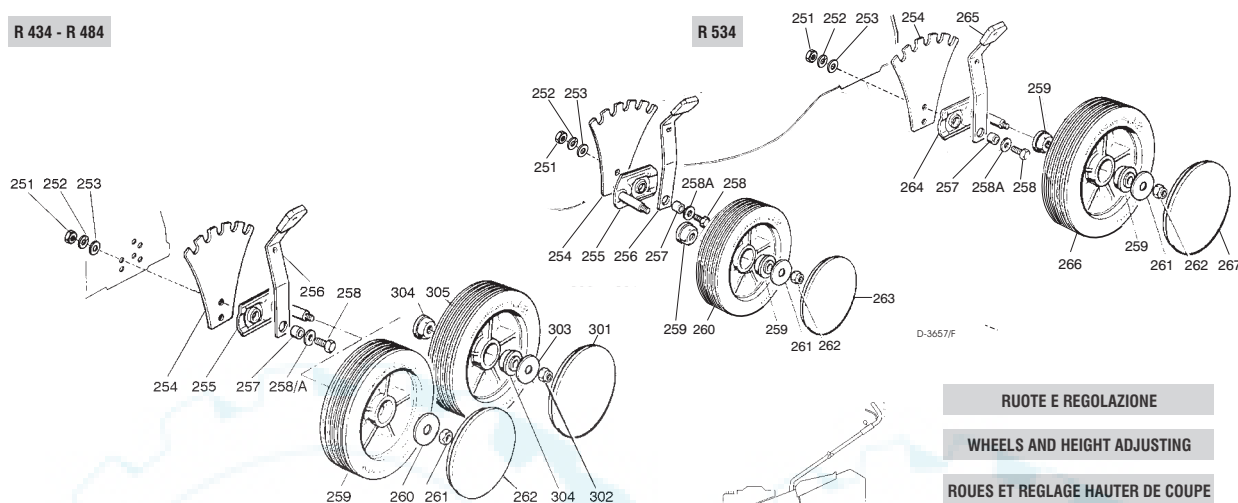
			VARIANTE REGOLAZIONE MANICO	HANDLE ADJUSTMENT VARIANT	VARIANTE REGLAGE POIGNEE	GRIFFEINSTELLVARIANTE	
T-3615/B	51	81006510/0	1	PARTE INFR. MANICO	LOWER HANDLE	PARTIE INF. MANCHERON	UNTERHOLM
	52	22785081/0	2	SUPPORTO ESTERNO	EXTERNAL SUPPORT	SUPPORT EXTERNE	AUßERE HALTERUNG
	53	22785082/0	1	SUPPORTO INTERNO DX	R. INTERNAL SUPPORT	SUPPORT INTERNE DROIT	INNERE HALTERUNG RECHTS
	54	22785083/1	1	SUPPORTO INTERNO SX	L. INTERNAL SUPPORT	SUPPORT INTERNE GAUCHE	INNERE HALTERUNG LINKS
	56	22551575/0	2	PIASTRINA INTERNA	INSIDE PLAQUE	PLAQUETTE INTERNE	INNERE PLATTE
	57	12793701/0	2	VITE	SCREW	VIS	SCHRAUBE
	58	12155000/0	2	DADO	NUT	ECROU	MUTTER
	59	12521350/0	2	RONDELLA	WASHER	RONDELLE	SCHIBE
	60	12691810/0	2	VITE	SCREW	VIS	SCHRAUBE
	61	22399803/0	2	MANOPOLINA	KNOB	POIGNÉE	GRIFF
	62	12293202/0	2	DADO	NUT	ECROU	MUTTER
	—	81008623/0	1	DOTAZ. VITERIA	SCREWS OUTFIT	DOTATION VISSERIE	SCHRAUBEN SATZ

			VARIANTE ACCELERATORE	THROTTLE VARIANTS	VARIANTES COMMANDE D'ACCELERATION	ÄNDERUNGEN AUF GASHEBEL	
T-3615/C	151	12291000/0	1	DADO	NUT	ECROU	MUTTER
	152	12581500/0	1	GROWER	GROWER	GROWER	FEDERRING
	153	22171005/0	1	DISTANZIALE	SPACER	ENTRETOISE	DISTANZRING
	154	12521360/0	1	RONDELLA	WASHER	RONDELLE	SCHIBE
	155	12508100/0	1	RONDELLA ELASTICA	SPRING WASHER	RONDELLE ELASTIQUE	ELASTISCHE SCHEIBE
	156	81007279/1	1	ASS. LEVA+MANOPOLINA	LEVER+KNOB ASS.Y	ENS. LEVIER+POIGNEE	HEBEL+GRIFF SATZ
	157	81007080/0	1	ASSIEME ACCELERATORE	TROTTLE UNIT ASS.Y	ENS. ACCELERATEUR	BESCHLEUNIGER SATZ
	158	12815000/0	1	VITE	SCREW	VIS	SCHRAUBE
	159	☛		ETICHETTA	LABEL	ETIQUETTE	ETIKETTE
	—	14356702/0	1	(TECUMSEH-HONDA)	(TECUMSEH-HONDA)	(TECUMSEH-HONDA)	(TECUMSEH-HONDA)
	—	14356703/0	1	(B&S)	(B&S)	(B&S)	(B&S)

Pos. Nr.	Codice Code Kodex	Q.tà Q.ty-Q.tè Menge	Descrizione	Description	Description	Beschreibung
			VARIANTE REGIME FISSO	FIXED SPEED VARIANTS	VARIANTES POUR MODÈLE À REGIME FIXE	ÄNDERUNGEN FÜR MODELLE MIT FIXIERTER DREHZAHL
T-3615/D	201	22601000/0	PROTEZIONE	PROTECTION	PROTECTION	SCHUTZ

R 434 - R 484

R 534



R 434 - R 484

- RUOTE E REGOLAZIONE**
- WHEELS AND HEIGHT ADJUSTING**
- ROUES ET REGLAGE HAUTER DE COUPE**
- RÄDER UND SCHNITTHÖHEVERSTELLUNG**

T-3614/F	Pos. Nr.	Codice Code Kodex	Q.tà	Descrizione	Description	Description	Beschreibung
	251	12293200/0	4	DADO	NUT	ECROU	MUTTER
	252	12583500/0	4	GROWER	GROWER	GROWER	FEDERRING
	253	12523070/0	4	RONDELLA	WASHER	RONDELLE	SCHEIBE
	254	22735537/0	4	SETTORE REGOLAZIONE	ADJUSTMENT SECTOR	SECTEUR REGLAGE	VERSTELLUNGSEKTOR
	255	81005082/0	4	SUPPORTO RUOTA	WHEEL SUPPORT	SUPPORT ROUE	RADHALTER
	256	81003273/0	4	LEVA REGOLAZIONE	ADJUSTMENT LEVER	LEVIER REGLAGE	VERSTELLUNGHEBEL
	257	22171001/0	4	DISTANZIALE	SPACER	ENTRETOISE	DISTANZRING
	258	12793701/0	4	VITE	SCREW	VIS	SCHRAUBE
	258A	12521350/0	4	RONDELLA	WASHER	RONDELLE	SCHEIBE
	259	81007325/0	4	RUOTA Ø 170	WHEEL Ø 170	ROUE Ø 170	RAD Ø 170
	260	12523060/0	4	RONDELLA	WASHER	RONDELLE	SCHEIBE
	261	12293201/0	4	DADO	NUT	ECROU	MUTTER
	262	22110262/0	4	COPRIMOZZO	HUB CAP	COUVRE-MOYEU	RADKAPPE
	—	22110262/0	4	BIANCO	WHITE	BLANC	WEIßE
	—	22110263/0	4	GIALLO	YELLOW	JAUNE	GELBE
	—	22110264/0	4	ROSSO	RED	ROUGE	ROTE

R 534

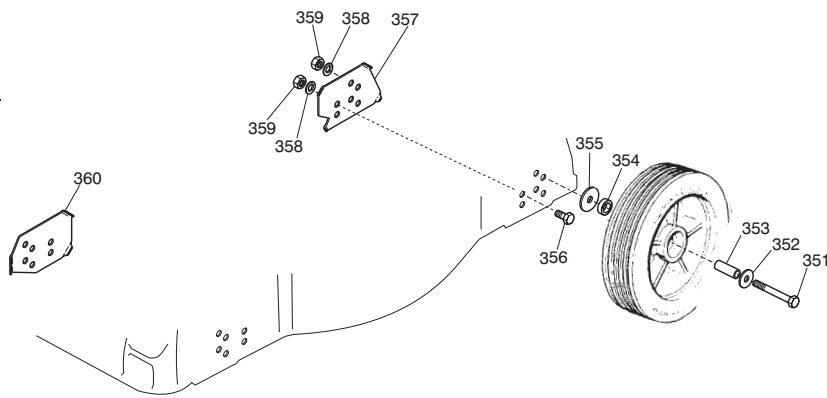
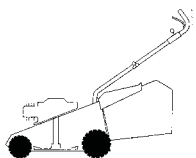
T-3657/F	Pos. Nr.	Codice Code Kodex	Q.tà	Descrizione	Description	Description	Beschreibung
	251	12293200/0	4	DADO	NUT	ECROU	MUTTER
	252	12583500/0	4	GROWER	GROWER	GROWER	FEDERRING
	253	12523070/0	4	RONDELLA	WASHER	RONDELLE	SCHEIBE
	254	22735537/0	4	SETTORE REGOLAZIONE	ADJUSTMENT SECTOR	SECTEUR REGLAGE	VERSTELLUNGSEKTOR
	255	81005082/0	2	SUPPORTO RUOTA	WHEEL SUPPORT	SUPPORT ROUE	RADHALTER
	256	81003273/0	2	LEVA REGOLAZIONE	ADJUSTMENT LEVER	LEVIER REGLAGE	VERSTELLUNGHEBEL
	258A	12521350/0	4	RONDELLA	WASHER	RONDELLE	SCHEIBE
	257	22171001/0	4	DISTANZIALE	SPACER	ENTRETOISE	DISTANZRING
	258	12793701/0	4	VITE	SCREW	VIS	SCHRAUBE
	259	22034508/0	8	BOCCOLA	BUSH	DOUILLE	BÜCHSE
	260	81007326/0	2	RUOTA Ø 170	WHEEL Ø 170	ROUE Ø 170	RAD Ø 170
	261	12523060/0	4	RONDELLA	WASHER	RONDELLE	SCHEIBE
	262	12155000/0	4	DADO	NUT	ECROU	MUTTER
	263	22110262/0	2	COPRIMOZZO	HUB CAP	COUVRE-MOYEU	RADKAPPE
	—	22110262/0	2	BIANCO	WHITE	BLANC	WEIßE
	—	22110263/0	2	GIALLO	YELLOW	JAUNE	GELBE
	—	22110264/0	2	ROSSO	RED	ROUGE	ROTE
	264	81005084/0	2	SUPPORTO RUOTA	WHEEL SUPPORT	SUPPORT ROUE	RADHALTER
	265	81003272/0	2	LEVA REGOLAZIONE	ADJUSTMENT LEVER	LEVIER REGLAGE	VERSTELLUNGHEBEL
	266	81007328/0	2	RUOTA Ø 210	WHEEL Ø 210	ROUE Ø 210	RAD Ø 210
	267	22110265/0	2	COPRIMOZZO	HUB CAP	COUVRE-MOYEU	RADKAPPE
	—	22110265/0	2	BIANCO	WHITE	BLANC	WEIßE
	—	22110266/0	2	GIALLO	YELLOW	JAUNE	GELBE
	—	22110267/0	2	ROSSO	RED	ROUGE	ROTE

VARIANTI RUOTE Ø 170 SU BOCCOLE **WHEELS Ø 170 VARIANTS ON BUSHES** **VARIANTES ROUES Ø 170 SUR DOUILLES** **ÄNDERUNGEN AUF RÄDER Ø 170 MIT BÜCHSEN**

T-3614/G	Pos. Nr.	Codice Code Kodex	Q.tà	Descrizione	Description	Description	Beschreibung
	301	22110262/0	4	COPRIMOZZO	HUB CAP	COUVRE-MOYEU	RADKAPPE
	—	22110262/0	4	BIANCO	WHITE	BLANC	WEIßE
	—	22110263/0	4	GIALLO	YELLOW	JAUNE	GELBE
	—	22110264/0	4	ROSSO	RED	ROUGE	ROTE
	302	12155000/0	4	DADO	NUT	ECROU	MUTTER
	303	12523060/0	4	RONDELLA	WASHER	RONDELLE	SCHEIBE
	304	22034508/0	8	BOCCOLA	BUSH	DOUILLE	BÜCHSE
	305	81007326/0	4	RUOTA Ø 170	WHEEL Ø 170	ROUE Ø 170	RAD Ø 170

Pos. Nr.	Codice Code Kodex	Q.tà Q.ty-Q.tè Menge	Descrizione	Description	Description	Beschreibung
----------	-------------------	----------------------	-------------	-------------	-------------	--------------

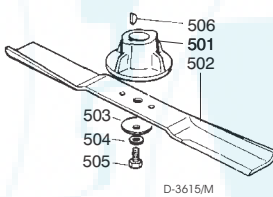
- VARIANTE REGOLAZIONE RUOTE
- WHEEL ADJUSTMENT VARIANT
- VARIANTE REGLAGE ROUES
- RADEINSTELLVARIANTE



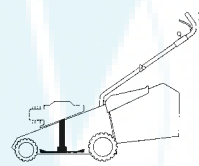
D-3614/H

T-3614/H	351	12691900/0	4	VITE	SCREW	VIS	SCHRAUBE
	352	12523060/0	4	RONDELLA	WASHER	RONDELLE	SCHEIBE
	351	12691900/0	4	VITE	SCREW	VIS	SCHRAUBE
	352	12523060/0	4	RONDELLA	WASHER	RONDELLE	SCHEIBE
	353	22869650/0	4	TUBO PER RUOTA	WHEEL TUBE	TUBE POUR ROUE	ROHR FÜR RAD
	354	22172420/0	4	DISTANZIALE	SPACER	ENTRETOISE	DISTANZRING
	355	12523070/0	4	RONDELLA	WASHER	RONDELLE	SCHEIBE
	356	12792611/0	4	VITE	SCREW	VIS	SCHRAUBE
	357	22551513/0	2	PIASTRA POSTERIORE	BACK PLATE	PLAQUE POSTÉRIEURE	HINTERPLATTE
	358	12583500/0	8	GROWER	GROWER	GROWER	GROWER
	359	12293200/0	8	DADO	NUT	ECROU	MUTTER
	360	22551511/0	2	PIASTRA ANTERIORE	FRONT PLATE	PLAQUE ANTÉRIEURE	VORDERPLATTE

- GRUPPO COLTELLO
- BLADE ASS.Y
- GROUPE LAME
- MESSERSATZ

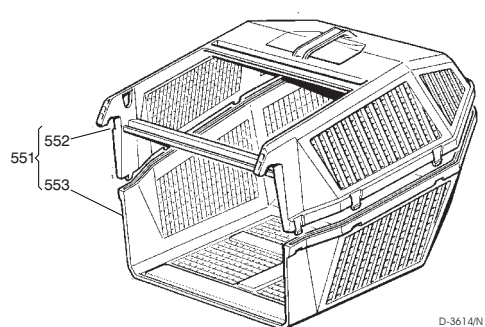
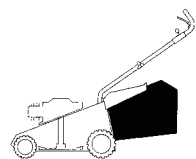


D-3615/M

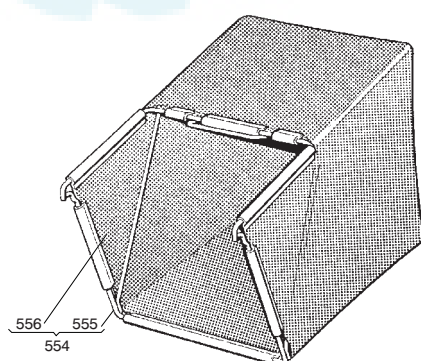


T-3615/M	501	22463012/1	1	MOZZO	HUB	MOYEU	HALTER
	502			COLTELLO	BLADE	LAME	MESSER
	502	81004341/2	1	STANDARD. 41 cm. R 434	STANDARD 41 cm. R 434	STANDARD 41 cm. R 434	STAND. 41 cm. R 434
	—	81004396/0	1	ALETTATO. 41 cm. R 434	WINGED 41 cm. R 434	AILETTÉE 41 cm. R 434	FLÜGEL 41 cm. R 434
	—	81004346/2	1	STANDARD. 46 cm. R 484	STANDARD 46 cm. R 484	LAME STANDARD 46 cm. R	484STAND. 46 cm. R 484
	—	81004397/0	1	ALETTATO. 46 cm. R 484	WINGED 46 cm. R 484	AILETTÉE 46 cm. R 484	FLÜGEL 46 cm. R 484
	—	81004381/0	1	STANDARD.51 cm. R 534	WINGED 51 cm. R 534	AILETTÉE 51 cm. R 534	FLÜGEL 51 cm. R 534
	—	81004398/0	1	ALETTATO. 51 cm. R 534	WINGED51 cm. R 534	AILETTÉE 51 cm. R 534	FLÜGEL 51 cm. R 534
	503	22160400/0	1	DISCO ELASTICO	ELASTIC WASHER	RONDELLE ELASTIQUE	ELASTISCHE SCHEIBE
	504	12523080/0	1	RONDELLA	WASHER	RONDELLE	SCHEIBE
	505	12735698/0	1	VITE	SCREW	VIS	SCHRAUBE
	506	12139100/0	1	LINGUETTA	FEATHER	CLAVETTE	KEIL

- SACCO RACCOGLIERBA
- GRASS-CATCHER
- BAC DE RAMASSAGE
- GRASFANGKORB



D-3614/N



T-3614/N	551	98005000/1	1	SACCO COMPLETO	COMPLETE GRASS-BOX	SAC COMPLET	KOMPLETTER KORB
	552	22486076/0	1	PARTE SUP. SACCO	UPPER GRASS BOX	PARTIE SUP. SAC	OBERKORB
	553	22486077/0	1	PARTE INF. SACCO	LOWER GRASS BOX	PARTIE INF. SAC	UNTERKORB
	554	98004000/0	1	ASS. SACCO IN TELA	CANVASS GRASSCATCHER	ENSEMBLE SAC EN TOILE	KOMPLETTER SACK
	555	81006408/0	1	TELAIO	CHASSIS	CHÂSSIS	RAHMEN
	556	81002105/2	1	TELA SACCO	FABRIC BOX	TOILE POUR SAC	TUCK FÜR SACK