

**TDL 430**

**TDL 430 S**

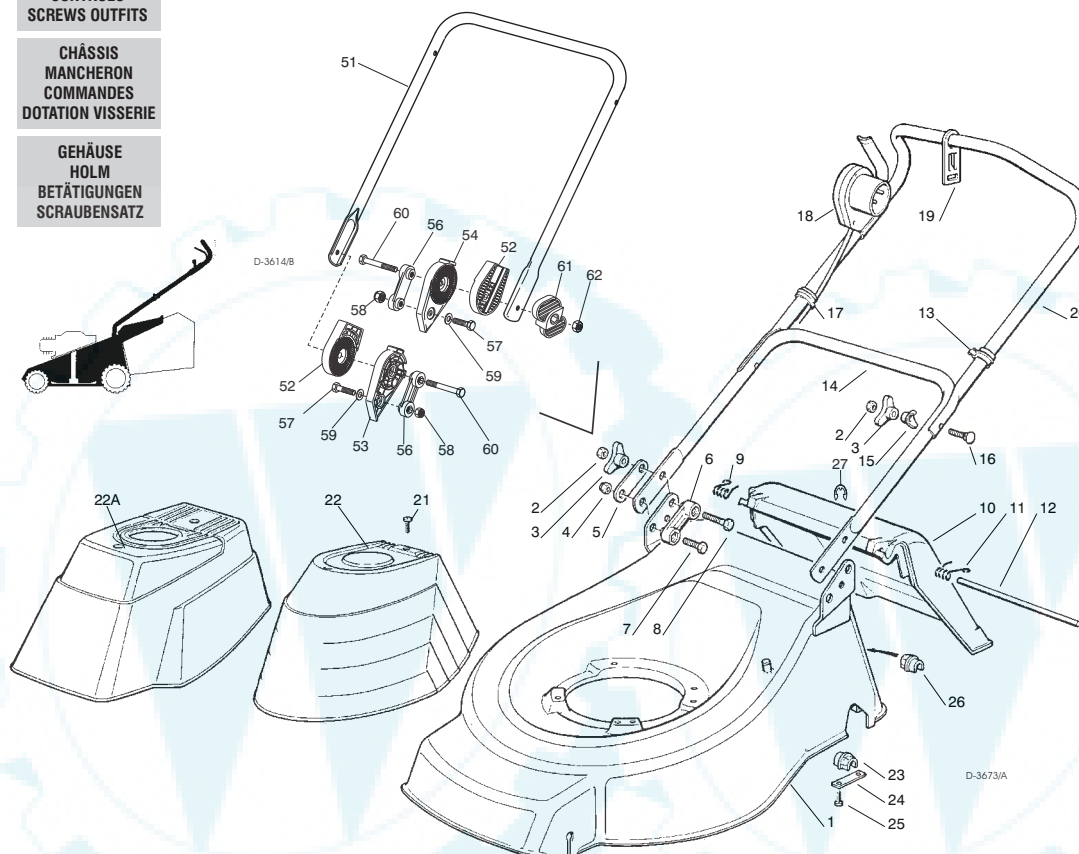
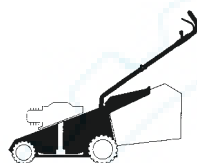
**TDL 480**

CHASSIS  
MANICO  
COMANDI  
DOTAZIONE VITERIE

DECK  
HANDLE  
CONTROLS  
SCREWS OUTFITS

CHÂSSIS  
MANCHERON  
COMMANDES  
DOTATION VISSERIE

GEHÄUSE  
HOLM  
BETÄTIGUNGEN  
SCRAUBENSATZ



SPARE PARTS CATALOGUE  
ERSATZTEILKATALOG

GB D

CATALOGO DELLE PARTI  
DI RICAMBIO  
CATALOGUE DES PIÈCES  
DE RECHANGE

I F

T-3673/A

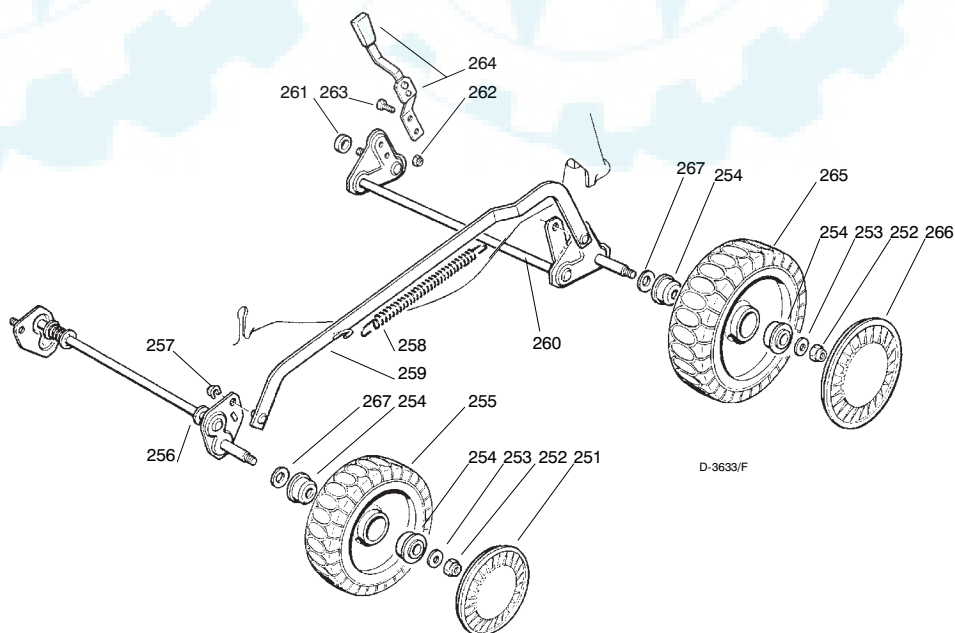
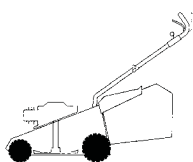
| Pos. Nr. | Codice Code Kodex | Q.tà Q.ty-Q.tè Menge | Descrizione            | Description    | Description          | Beschreibung     |
|----------|-------------------|----------------------|------------------------|----------------|----------------------|------------------|
| 1        |                   |                      | CHASSIS                | DECK           | CHÂSSIS              | GEHÄUSE          |
| -        | 81001343/0        | 1                    | ROSSO TDL 430          | RED TDL 430    | ROUGE TDL 430        | ROTES TDL 430    |
| -        | 81001353/0        | 1                    | GIALLO TDL 430         | YELLOW TDL 430 | JAUNE TDL 430        | GELBES TDL 430   |
| -        | 81001375/0        | 1                    | VERDE TDL 430          | GREEN TDL 430  | VERT TDL 430         | GRÜNES TDL 430   |
| -        | 81001344/0        | 1                    | ROSSO TDL 480          | RED TDL 480    | ROUGE TDL 480        | ROTES DL 480     |
| -        | 81001355/0        | 1                    | GIALLO TDL 480         | YELLOW TDL 480 | JAUNE TDL 480        | GELBES TDL 480   |
| -        | 81001377/0        | 1                    | VERDE TDL 480          | GREEN TDL 480  | VERT TDL 480         | GRÜNES TDL 480   |
| 2        | 12293200/0        | 4                    | DADO                   | NUT            | ECROU                | MUTTER           |
| 3        | 22399900/0        | 4                    | MANOPOLINA             | KNOB           | POIGNÉE              | GRIFF            |
| 4        | 12155000/0        | 2                    | DADO                   | NUT            | ECROU                | MUTTER           |
| 5        | 22551574/0        | 2                    | PIASTRINA ESTERNA      | OUTSIDE PLAQUE | PLAQUETTE EXTERNE    | INNERE PLATTE    |
| 6        | 22551575/0        | 2                    | PIASTRINA INTERNA      | INSIDE PLAQUE  | PLAQUETTE INTERNE    | INNERE PLATTE    |
| 7        | 12793300/0        | 2                    | VITE                   | SCREW          | VIS                  | SCHRAUBE         |
| 8        | 12691115/0        | 2                    | VITE                   | SCREW          | VIS                  | SCHRAUBE         |
| 9        | 22450410/1        | 1                    | MOLLA DESTRA           | RIGHT SPRING   | RESSORT DROITE       | RECHTE FEDER     |
| 10       | 22600046/1        | 1                    | PARASASSI              | STONE-GUARD    | PARE-PIERRES         | PRALLBLECH       |
| 11       | 22450420/1        | 1                    | MOLLA SINISTRA         | LEFT SPRING    | RESSORT GAUCHE       | LINKE FEDER      |
| 12       | 22517906/1        | 1                    | PERNO                  | PIN            | PIVOT                | BOLZEN           |
| 13       | 22192151/0        | 1                    | FERMACAVO              | FAIR LEAD      | FIXATION CABLE       | KABELBEFESTIGUNG |
| 14       | 81006512/0        | 1                    | PARTE INFERIORE MANICO | LOWER HANDLE   | PARTIE INF MANCHERON | UNTERKORB        |
| 15       | 22680006/1        | 2                    | RONDELLA               | WASHER         | RONDELLE             | SCHIBE           |
| 16       | 12819201/0        | 2                    | VITE                   | SCREW          | VIS                  | SCHRAUBE         |
| 17       | 22192000/1        | 2                    | FASCETTA ANCORAGGIO    | ANCHOR CLAMP   | COLLIER ANCRAGE      | BOWDENZUGHALTER  |

| Pos. Nr. | Code Code Kodex | Q.tà Q.ty-Q.tè Menge | Descrizione                | Description                | Description                | Beschreibung               |
|----------|-----------------|----------------------|----------------------------|----------------------------|----------------------------|----------------------------|
| 18       |                 |                      | SALVAMOTORE M.M.           | DEAD HAND SWITCH M.M.      | INT. MAIN MORTE            | TOT MANSCHALTER M.M.       |
| -        | 18710627/1      | 1                    | 8 A 602 MS (1300W RST)     | 8 A 602 MS (1300W RST)     | 8 A 602 MS (1300W RST)     | 8 A 602 MS (1300W RST)     |
| -        | 18710628/0      | 1                    | 8 A 603 MS (1300W RST)     | 8 A 603 MS (1300W RST)     | 8 A 603 MS (1300W RST)     | 8 A 603 MS (1300W RST)     |
|          |                 |                      | SOLO PER SVIZZERA          | ONLY FOR SWITZERLAND       | SEUL. POUR LA SUISSE       | NUR FÜR SCHWEIZ            |
| -        | 18710562/0      | 1                    | 8,5 A 602 MS (1300W IBMEI) | 8,5 A 602 MS (1300W IBMEI) | 8,5 A 602 MS (1300W IBMEI) | 8,5 A 602 MS (1300W IBMEI) |
| -        | 18710563/0      | 1                    | 8,5 A 603 MS (1300W IBMEI) | 8,5 A 603 MS (1300W IBMEI) | 8,5 A 603 MS (1300W IBMEI) | 8,5 A 603 MS (1300W IBMEI) |
|          |                 |                      | SOLO PER SVIZZERA          | ONLY FOR SWITZERLAND       | SEUL. POUR LA SUISSE       | NUR FÜR SCHWEIZ            |
| -        | 18710624/0      | 1                    | 8,5 A 607 MS (1300W IBMEI) | 8,5 A 607 MS (1300W IBMEI) | 8,5 A 607 MS (1300W IBMEI) | 8,5 A 607 MS (1300W IBMEI) |
| -        | 18710623/0      | 1                    | 9,5 A 607 MS (1600W)       | 9,5 A 607 MS (1600W)       | 9,5 A 607 MS (1600W)       | 9,5 A 607 MS (1600W)       |
| -        | 18710604/0      | 1                    | 10 A 602 MS (1600W)        | 10 A 602 MS (1600W)        | 10 A 602 MS (1600W)        | 10 A 602 MS (1600W)        |
| -        | 18710572/0      | 1                    | 10 A 603 MS (1600W)        | 10 A 603 MS (1600W)        | 10 A 603 MS (1600W)        | 10 A 603 MS (1600W)        |
|          |                 |                      | SOLO PER SVIZZERA          | ONLY FOR SWITZERLAND       | SEUL. POUR LA SUISSE       | NUR FÜR SCHWEIZ            |
| 19       | 22195101/1      | 1                    | FERMACAVO                  | FAIR LEAD                  | FIXATION CABLE             | KABELBEFESTIGUNG           |
| 20       | 81007017/1      | 1                    | PARTE SUPERIORE MANICO     | UPPER HANDLE               | PARTIE SUP. MANCHERON      | OBERKORB                   |
| 21       | 12728680/0      | 2                    | VITE                       | SCREW                      | VIS                        | SCHRAUBE                   |
| 22       | 81002057/0      | 1                    | CAPOTTINA                  | COVER                      | CAPOT                      | HAUSE                      |
| 22A      | 81002059/0      | 1                    | CAPOTTINA                  | COVER                      | CAPOT                      | HAUSE                      |
| 23       | 22038403/0      | 1                    | BRONZINA SINISTRA          | LEFT BUSH                  | DOUILLE GAUCHE             | LINKE BUCHSE               |
| 24       | 22545142/0      | 2                    | PIASTRINA                  | PLATE                      | PLAQUETTE                  | PLATTE                     |
| 25       | 12731350/0      | 4                    | VITE                       | SCREW                      | VIS                        | SCHRAUBE                   |
| 26       | 22038402/0      | 1                    | BRONZINA DESTRA            | RIGHT BUSH                 | DOUILLE DROITE             | RECHTE BUCHSE              |
| 27       | 12000930/0      | 1                    | ANELLO ELASTICO            | SNAP RING                  | ANNEAU RESSORT             | SPRENGRING                 |
| -        | 81008596/1      |                      | DOTAZIONE VITERIA          | SCREWS OUTFIT              | DOTATION VISSERIE          | SCHRAUBEN SATZ             |

|    | VARIANTE REGOLAZIONE MANICO | HANDLE ADJUSTMENT VARIANT | VARIANTE REGLAGE POIGNEE | GRIFFEINSTELLVARIANTE |                        |                         |
|----|-----------------------------|---------------------------|--------------------------|-----------------------|------------------------|-------------------------|
| 51 | 81006510/0                  | 1                         | PARTE INFR. MANICO       | LOWER HANDLE          | PARTIE INF. MANCHERON  | UNTERHOLM               |
| 52 | 22785081/0                  | 2                         | SUPPORTO ESTERNO         | EXTERNAL SUPPORT      | SUPPORT EXTERNE        | AUßERE HALTERUNG        |
| 53 | 22785082/0                  | 1                         | SUPPORTO INTERNO DX      | R. INTERNAL SUPPORT   | SUPPORT INTERNE DROIT  | INNERE HALTERUNG RECHTS |
| 54 | 22785083/1                  | 1                         | SUPPORTO INTERNO SX      | L. INTERNAL SUPPORT   | SUPPORT INTERNE GAUCHE | INNERE HALTERUNG LINKS  |
| 56 | 22551575/0                  | 2                         | PIASTRINA INTERNA        | INSIDE PLAQUE         | PLAQUETTE INTERNE      | INNERE PLATTE           |
| 57 | 12793701/0                  | 2                         | VITE                     | SCREW                 | VIS                    | SCHRAUBE                |
| 58 | 12155000/0                  | 2                         | DADO                     | NUT                   | ECROU                  | MUTTER                  |
| 59 | 12521350/0                  | 2                         | RONDELLA                 | WASHER                | RONDELLE               | SCHEIBE                 |
| 60 | 12691810/0                  | 2                         | MANOPOLINA               | KNOB                  | POIGNÉE                | GRIFF                   |
| 62 | 12293202/0                  | 2                         | DADO                     | NUT                   | ECROU                  | MUTTER                  |
| -  | 81008622/0                  | 1                         | DOTAZ. VITERIA           | SCREWS OUTFIT         | DOTATION VISSERIE      | SCHRAUBEN SATZ          |

T-3614/B

**RUOTE E REGOLAZIONE**  
**WHEELS AND HEIGHT ADJUSTING**  
**ROUES ET REGLAGE HAUTER DE COUPE**  
**RÄDER UND SCHNITTHÖHEVERSTELLUNG**



D-3633/F

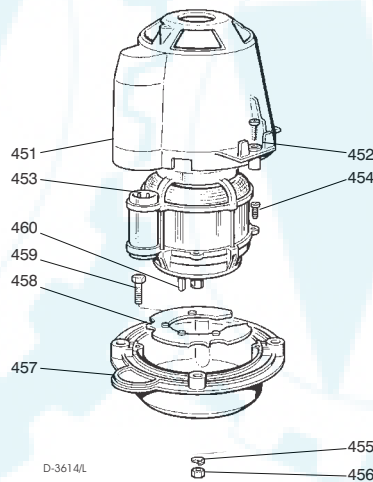
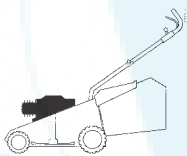
| Pos. Nr. | Codice Code Kodex | Q.tà Q.ty-Q.tè Menge | Descrizione       | Description           | Description         | Beschreibung        |                         |
|----------|-------------------|----------------------|-------------------|-----------------------|---------------------|---------------------|-------------------------|
| T-9639/F | 251               |                      | COPRIMOZZO        | HUB CAP               | COUVRE-MOYEU        | RADKAPPE            |                         |
|          | —                 | 22110282/0           | BIANCO            | WHITE                 | BLANC               | WEIßE               |                         |
|          | —                 | 22110288/0           | 2                 | GIALLO                | YELLOW              | JAUNE               | GELBE                   |
|          | —                 | 22110290/0           | 2                 | ROSSO                 | RED                 | ROUGE               | ROTE                    |
|          | 252               | 12155000/0           | 4                 | DADO                  | NUT                 | ECROU               | MUTTER                  |
|          | 253               | 12521350/0           | 4                 | RONDELLA              | WASHER              | RONDELLE            | SCHIBE                  |
|          | 254               | 22122200/0           | 8                 | CUSCINETTO            | BEARING             | COUSSINET           | KUGELLAGER              |
|          | 255               | 81007317/0           | 2                 | RUOTA SCOLPITA ĩ 170  | KNOBBLY WHEEL ĩ 170 | ROUE SCULPTEE ĩ 170 | RAD M. STOLLENPR. ĩ 170 |
|          | 256               |                      |                   | ASSE RUOTE ANTERIORE  | FRONT WHEELS AXLE   | AXE ROUES AVANT     | VORDERRADACHSE          |
|          | —                 | 81001272/0           | 1                 | TDL 430 - TDL 430S    | TDL 430 - TDL 430S  | TDL 430 - TDL 430S  | TDL 430 - TDL 430S      |
|          | —                 | 81001274/0           | 1                 | TDL 480               | TDL 480             | TDL 480             | TDL 480                 |
|          | 257               | 12436050/0           | 2                 | PIASTRINA             | PLATE               | PLAQUETTE           | PLÄTTCHEN               |
|          | 258               | 22446180/0           | 1                 | MOLLA                 | SPRING              | RESSORT             | FEDER1                  |
|          | 259               |                      | 1                 | ASTA COMANDO          | ADJUSTMENT ROD      | TIGE COMMANDE       | STELLSTAB               |
|          | —                 | 81001275/0           | 1                 | TDL 430               | TDL 430             | TDL 430             | TDL 430                 |
|          | —                 | 81001276/0           | 1                 | TDL 480               | TDL 480             | TDL 480             | TDL 480                 |
|          | 260               | 81001278/0           | 1                 | ASSE RUOTE POSTERIORE | REAR WHEELS AXLE    | AXE ROUES ARRIERE   | HINTERRADACHSE          |
|          | 261               | 22170800/0           | 1                 | DISTANZIALE           | SPACER              | ENTRETOISE          | DISTANZRING             |
|          | 262               | 12154330/0           | 2                 | DADO                  | NUT                 | ECROU               | MUTTER                  |
|          | 263               | 12789000/0           | 2                 | VITE                  | SCREW               | VIS                 | SCHRAUBE                |
|          | 264               | 81003283/1           | 1                 | LEVA REGOLAZIONE      | ADJUSTMENT LEVER    | LEVIER REGLAGE      | VERSTELLUNGHEBEL        |
|          | 265               | 81007318/1           | 2                 | RUOTA SCOLPITA Ø 210  | KNOBBLY WHEEL Ø 210 | ROUE SCULPTEE Ø 210 | RAD M. STOLLENPR. Ø 210 |
|          | 266               |                      |                   | COPRIMOZZO            | HUB CAP             | COUVRE-MOYEU        | RADKAPPE                |
|          | —                 | 22110281/0           | 2                 | BIANCO                | WHITE               | BLANC               | WEIßE                   |
|          | —                 | 22110287/0           | 2                 | GIALLO                | YELLOW              | JAUNE               | GELBE                   |
|          | —                 | 22110289/0           | 2                 | ROSSO                 | RED                 | ROUGE               | ROTE                    |
| 267      | 12530150/0        | 4                    | RONDELLA ELASTICA | ELASTIC WASHER        | RONDELLE ELASTIQUE  | ELASTISCHE SCHEIBE  |                         |

GRUPPO MOTORE ELETTRICO

MOTOR ASS.Y

MOTEUR ELECTRIQUE

ELEKTROMOTOR

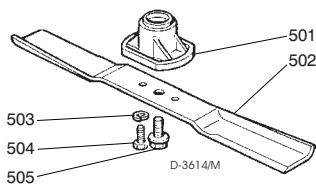
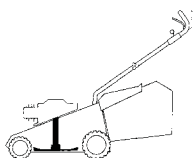


D-3614/L

|          |      |            |   |                          |                      |                          |                      |
|----------|------|------------|---|--------------------------|----------------------|--------------------------|----------------------|
| T-3614/L | 451  | 22785061/0 | 1 | SUPPORTO CAPOTTINA       | COVER SUPPORT        | SUPPORT CAPOT            | HAUBEHALTER          |
|          | 452  | 12728710/0 | 4 | VITE                     | SCREW                | VIS                      | SCHRAUBE             |
|          | 453  |            |   | MOTORE                   | MOTOR                | MOTEUR                   | MOTOR                |
|          | —    | 18563068/1 | 1 | IBMEI 1300W (230V)       | IBMEI 1300W (230V)   | IBMEI 1300W (230V)       | IBMEI 1300W (230V)   |
|          | —    | 18563008/0 | 1 | RST 1300W (220-230V)     | RST 1300W (220-230V) | RST 1300W (220-230V)     | RST 1300W (220-230V) |
|          | —    | 18563069/1 | 1 | IBMEI 1300W (240V)       | IBMEI 1300W (240V)   | IBMEI 1300W (240V)       | IBMEI 1300W (240V)   |
|          | —    | 18563061/2 | 1 | IBMEI 1600W (230V)       | IBMEI 1600W (230V)   | IBMEI 1600W (230V)       | IBMEI 1600W (230V)   |
|          | —    | 18563009/0 | 1 | RST 1600W (230V)         | RST 1600W (230V)     | RST 1600W (230V)         | RST 1600W (230V)     |
|          | —    | 18563047/2 | 1 | IBMEI 1600W (240V)       | IBMEI 1600W (240V)   | IBMEI 1600W (240V)       | IBMEI 1600W (240V)   |
|          | 453A | 18740049/0 | 1 | VENTOLA PER MOTORE IBMEI | IBMEI MOTOR FAN      | VENTILATEUR MOTEUR IBMEI | IBMEI MOTOR LÜFTER   |
|          | —    | 18740051/0 | 1 | VENTOLA PER MOTORE RST   | RST MOTOR FAN        | VENTILATEUR MOTEUR RST   | RST MOTOR LÜFTER     |
|          | 453B | 18222037/0 | 1 | CONDENSATORE 16 µF       | CONDENSER 16 µF      | CONDENSEUR 16 µF         | KONDENSATOR 16 µF    |
|          | —    | 18222038/0 | 1 | CONDENSATORE 20 µF       | CONDENSER 20 µF      | CONDENSEUR 20 µF         | KONDENSATOR 20 µF    |
|          | 454  | 12735410/0 | 4 | VITE                     | SCREW                | VIS                      | SCHRAUBE             |
|          | 455  | 12583500/0 | 4 | GROWER                   | GROWER               | GROWER                   | FEDERRING            |
|          | 456  | 12293200/0 | 4 | DADO                     | NUT                  | ECROU                    | MUTTER               |
|          | 457  | 22207211/3 | 1 | FLANGIA                  | FLANGE               | BRIDE                    | FLANSCH              |
|          | 458  | 22720360/1 | 1 | SCHERMO VENTILAZIONE     | VENTILATION SCREEN   | ECRAN VENTILATION        | LÜFTUNGSSCHIRM       |
|          | 459  | 12793700/0 | 4 | VITE                     | SCREW                | VIS                      | SCHRAUBE             |
|          | 460  | 12139440/0 | 1 | LINGUETTA                | FEATHER              | CLAVETTE                 | KEIL                 |

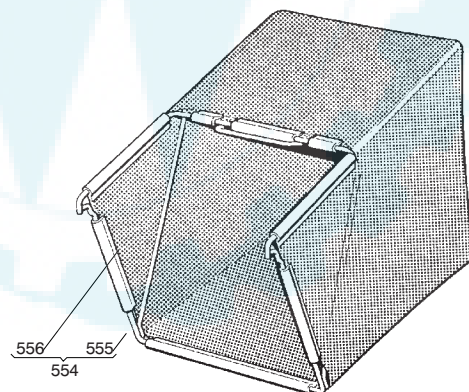
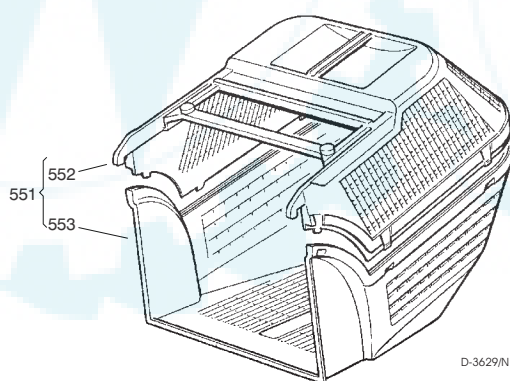
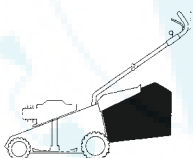
| Pos. Nr. | Codice Code Kodex | Q.tà Q.ty-Q.tè Menge | Descrizione | Description | Description | Beschreibung |
|----------|-------------------|----------------------|-------------|-------------|-------------|--------------|
|----------|-------------------|----------------------|-------------|-------------|-------------|--------------|

- GRUPPO COLTELLO
- BLADE ASS.Y
- GROUPE LAME
- MESSERSATZ



|          |     |            |   |                 |                 |                 |                 |
|----------|-----|------------|---|-----------------|-----------------|-----------------|-----------------|
| T-3661/M | 501 | 22463186/2 | 1 | MOZZO           | HUB             | MOYEU           | NABE            |
|          | 502 | 81004341/2 | 1 | COLTELLO        | BLADE           | LAME            | MESSER          |
|          | —   | 81004341/2 | 1 | STANDARD 41 cm. | STANDARD 41 cm. | STANDARD 41 cm. | STANDARD 41 cm. |
|          | —   | 81004396/0 | 1 | ALETTATO 41 cm. | WINGED 41 cm.   | AILETTÉE 41 cm. | FLÜGEL 41 cm.   |
|          | —   | 81004346/2 | 1 | STANDARD 46 cm. | STANDARD 46 cm. | STANDARD 46 cm. | STANDARD 46 cm. |
|          | —   | 81004397/0 | 1 | ALETTATO 46 cm. | WINGED 46 cm.   | AILETTÉE 46 cm. | FLÜGEL 46 cm.   |
|          | 503 | 12583500/0 | 2 | GROWER          | GROWER          | GROWER          | FEDERRING       |
|          | 504 | 12793101/0 | 2 | VITE            | SCREW           | VIS             | SCHRAUBE        |
|          | 505 | 81004352/0 | 1 | VITE            | SCREW           | VIS             | SCHRAUBE        |

- SACCO RACCOGLIERBA
- GRASS-CATCHER
- BAC DE RAMASSAGE
- GRASFANGKORB



|          |     |            |   |                       |                            |                       |                 |
|----------|-----|------------|---|-----------------------|----------------------------|-----------------------|-----------------|
| T-3629/N | 551 | 94004000/0 | 1 | SACCO COMPLETO        | COMPLETE GRASS-BOX         | BAC COMPLET           | KOMPLETTER KORB |
|          | 552 | 22486073/0 | 1 | PARTE SUPERIORE SACCO | UPPER GRASS-BOX            | PARTIE SUPERIEURE SAC | OBERKORB        |
|          | 553 | 22486074/0 | 1 | PARTE INFERIORE SACCO | LOWER GRASS-BOX            | PARTIE INFERIEURE SAC | UNTERKORB       |
|          | 554 | 94005000/0 | 1 | ASSIEME SACCO TELA    | CANVASS GRASSCATCHER ASS.Y | ENSEMBLE SAC EN TOILE | KOMPLETTER SACK |
|          | 555 | 81006418/0 | 1 | TELAIO                | CHASSIS                    | CHÂSSIS               | RAHMEN          |
|          | 556 | 81002105/2 | 1 | TELA SACCO            | FABRIC BOX                 | TOILE POUR SAC        | TUCK FÜR SACK   |