

REPAIR PARTS MANUAL

MODEL NO. LRC12
LAWN TRACTOR

T

95420 00-12

Jonsered

HOW TO USE THIS MANUAL

This manual is designed to provide the customer with a means to identify the parts on his/her tractor when ordering repair parts. The illustrations may or may not represent the actual assemblies; therefore, it is not recommended to use this manual as a guide to assemble or disassemble the tractor. Some hardware and parts are drawn larger in order to more readily identify them.

Each tractor has its own model number.

The model number for your tractor can be found on the fender under the seat.

When ordering parts, always give the following information:

- Product - "Tractor"
- Model Number - "JLR12TC90A"
- Part Number
- Part Description

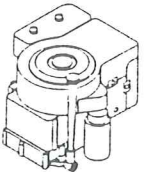

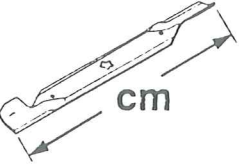
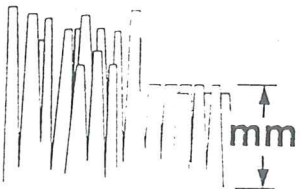

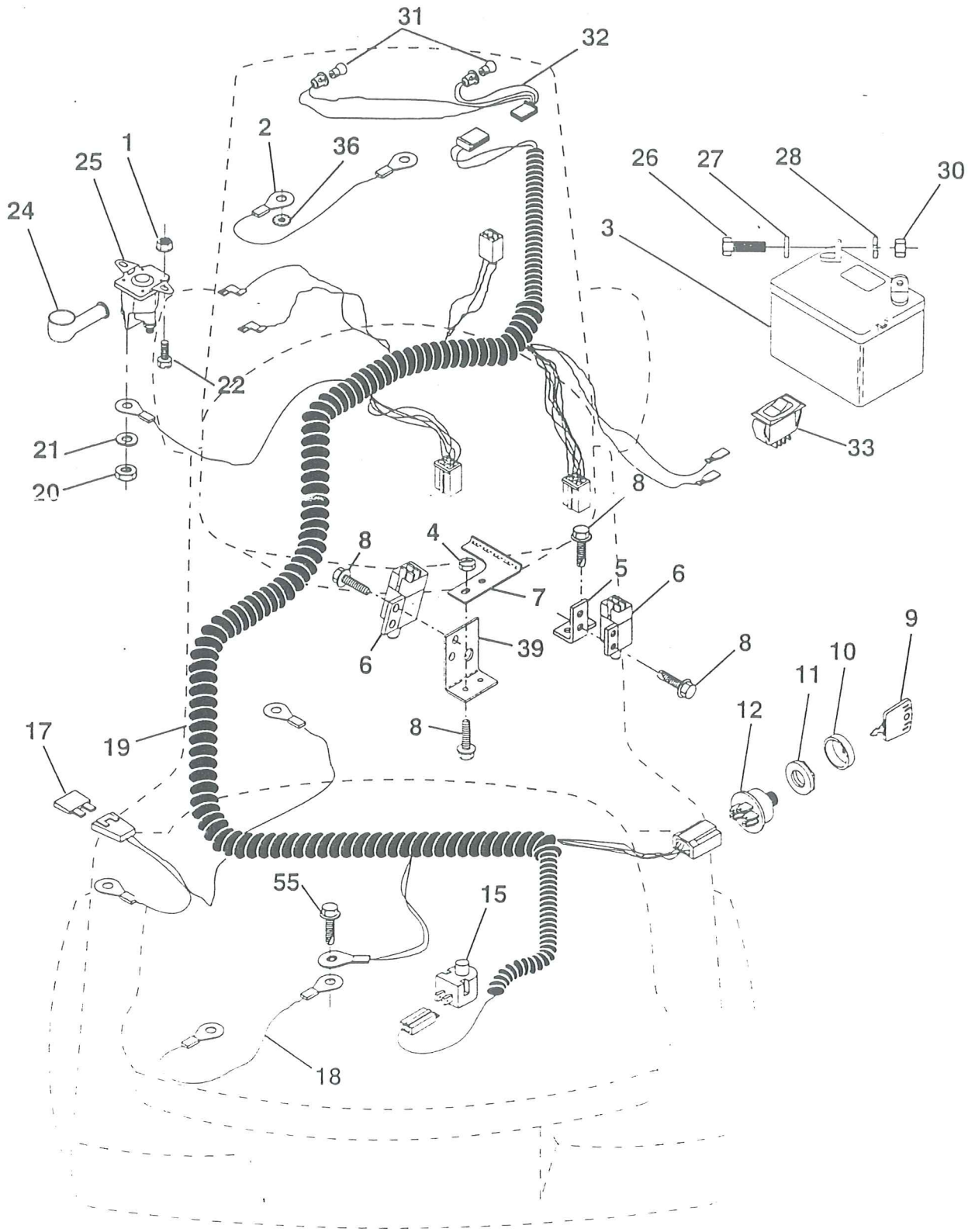
 hp/kw	 km/h	 cm	 mm	 KG	dB (A)
12/8.9	0-6	91	25-89	205	100

TABLE OF CONTENTS

HOOD	3
FENDER/CHASSIS	4
SEAT	5
DASH	6
STEERING	7
BRAKE/LIFT	8
FRONT AXLE	9
SECTOR GEAR	10
ENGINE	11
DRIVE	12
TRANSAXLE	13
DECAL	15
MOWER DECK	16-17
ELECTRICAL	18-19
TRANSAXLE IPB	20-21

REPAIR PARTS

TRACTOR - MODEL NO. LRC12 (JLR12TC90A), PRODUCT NO. 954 20 00-12
ELECTRICAL



REPAIR PARTS

TRACTOR - MODEL NO. LRC12 (JLR12TC90A), PRODUCT NO. 954 20 00-12

ELECTRICAL

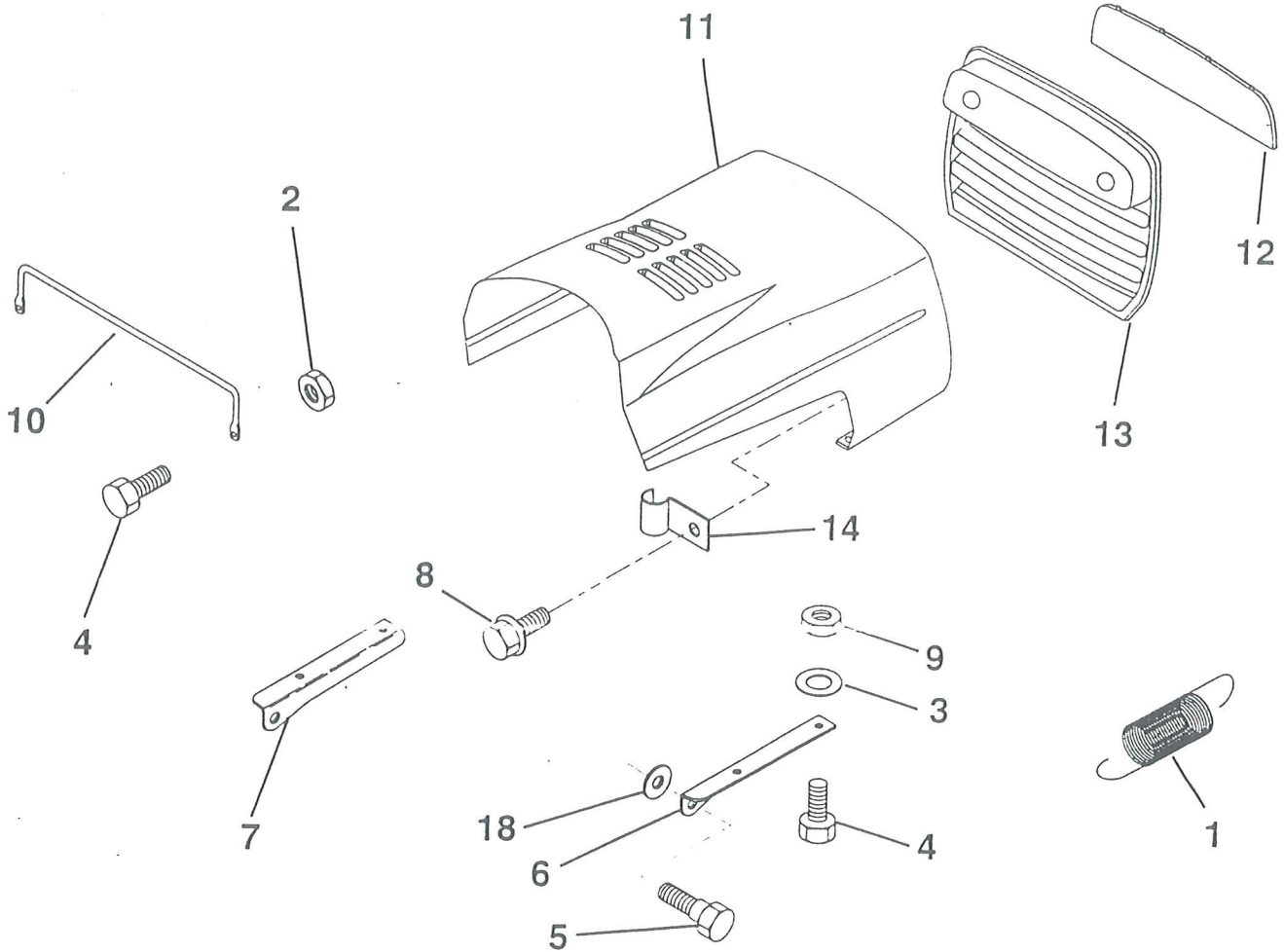
KEY NO.	PART NO.	DESCRIPTION
1	873640400	Nut, Hex Keps 1/4-20
2	532004560	Assembly, Cable
3	532146138	Battery
4	532069180	Nut, Lock#10-24 UNC
5	532108236	Bracket, Switch
6	532109553	Switch, Interlock (4-terminal)
7	532146374	Keeper Actuator
8	817021008	Screw, Hex Hd. Self-Tapping #10-24 x 1/2
9	532140401	Key, Molded
10	532141226	Cover, Key Ignition
11	532140400	Nut, Ignition
12	532144921	Switch, Ignition
15	532121305	Switch, Plunger
17	532108824	Fuse
18	532128353	Assembly, Cable
19	532146064	Harness, Ignition
20	873350400	Nut, Hex Jam 1/4-20
21	810090400	Washer, Lock 1/4
22	871110408	Bolt, Fin. Hex 1/4-20 UNC x 1/2
24	532131563	Cover, Terminal
25	532145673	Solenoid
26	874760412	Bolt, Hex Hd. 1/4-20 UNC x 3/4
27	819091016	Washer 9/32 x 5/8 x 16
28	810040400	Washer, Lock 1/4
30	873220400	Nut, Fin. Hex 1/4-20 UNC
31	532004152	Bulb, Light
32	532136850	Harness, Headlight
33	532110712	Switch, Light
36	811150400	Washer Lock Inter. Tooth 1/4
39	532141735	Bracket Switch Clutch
55	817490508	Screw Thdrol 5/16 - 18 x 1/2

HARDWARE SHOWN LARGER FOR EASIER IDENTIFICATION

REPAIR PARTS

TRACTOR - MODEL NO. LRC12 (JLR12TC90A), PRODUCT NO. 954 20 00-12

HOOD



KEY NO.	PART NO.	DESCRIPTION
---------	----------	-------------

1	532124657	Spring
2	73640400	Nut 1/4-20
3	819091416	Washer 9/32 x 7/8 x 16 Ga.
4	874780412	Bolt Fin Hex 1/4-20 x .75
5	532139888	Bolt Shoulder 5/16-18
6	532122549	Bracket Hood RH
7	532122548	Bracket Hood LH
8	817521312	Screw Sltd Hex Hd w/Pl Washer
9	873800400	Nut Lock w/insert 1/4 - 20

KEY NO.	PART NO.	DESCRIPTION
---------	----------	-------------

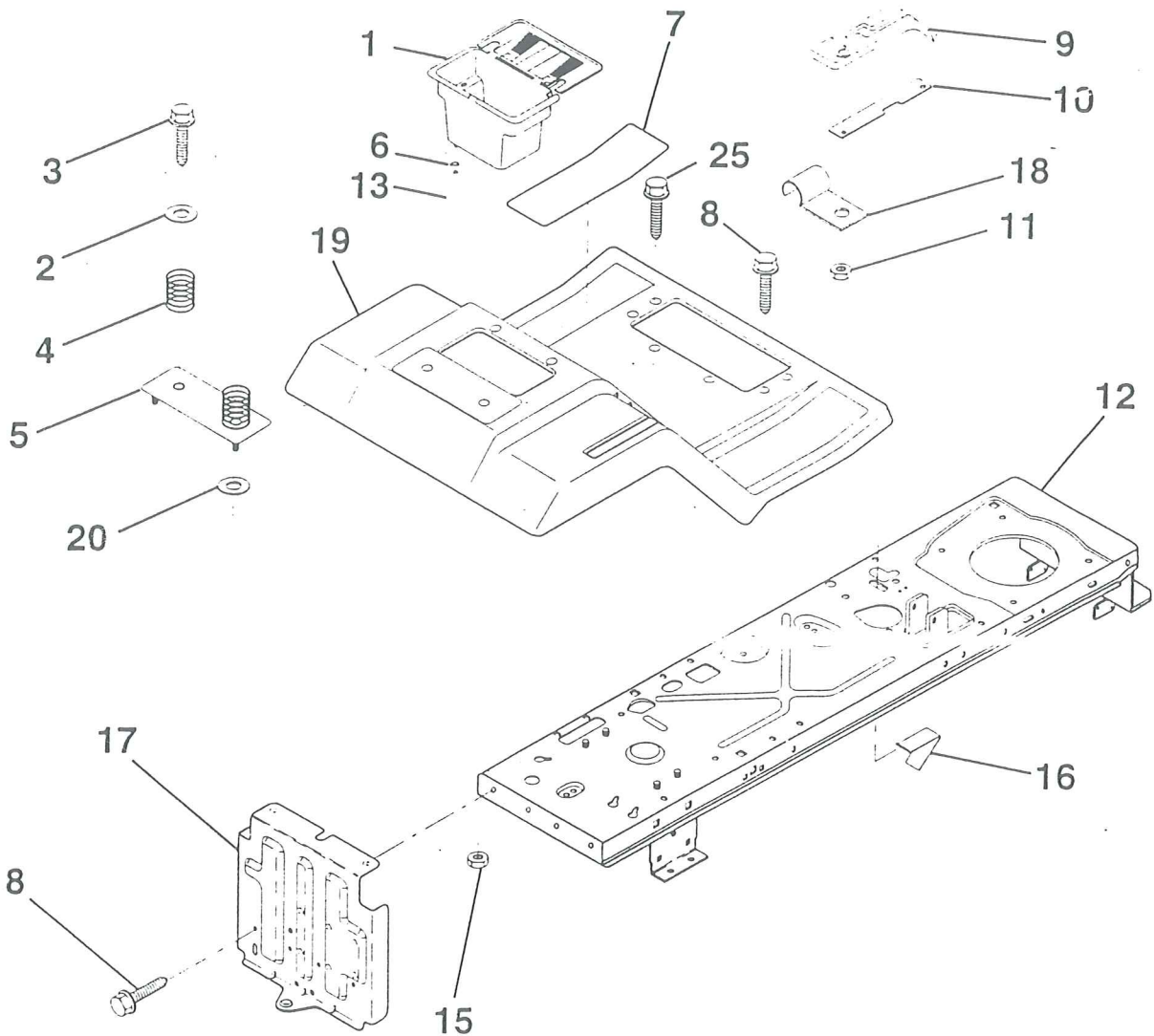
10	532123693	Brace Hood
11	532125429	Hood
12	532122035	Lens Clear Bar
13	532127029	Grille
14	532124967	Clip Line Fuel 11/32
18	819111116	Washer 11/32 x 11/16 x 16 Ga

NOTE: All component dimensions given in U.S. inches
1 inch = 25.4 mm

HARDWARE SHOWN LARGER FOR EASIER IDENTIFICATION

REPAIR PARTS

TRACTOR - MODEL NO. LRC12 (JLR12TC90A), PRODUCT NO. 954 20 00-12
FENDER / CHASSIS



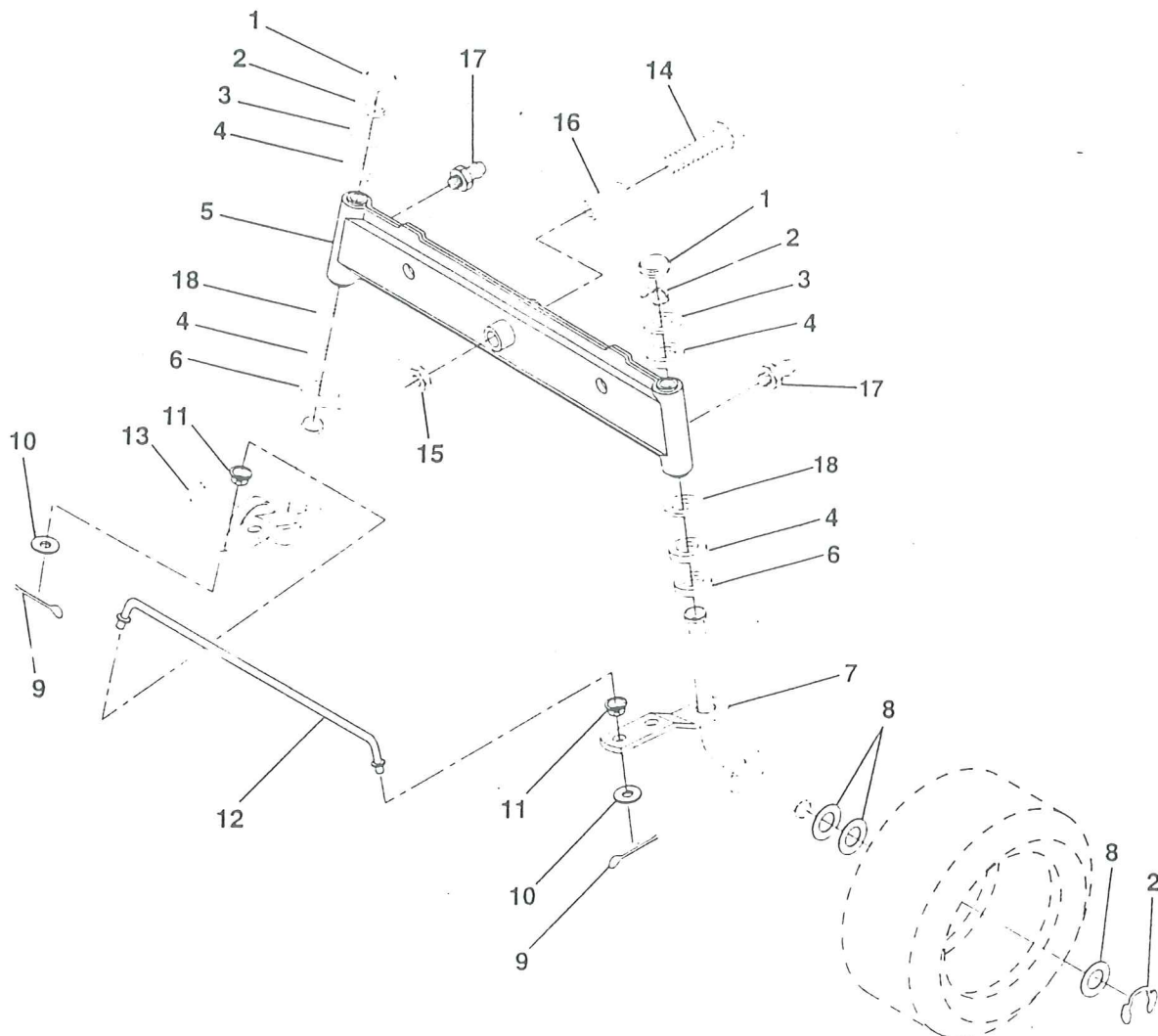
KEY NO.	PART NO.	DESCRIPTION	KEY NO.	PART NO.	DESCRIPTION
1	532156417	Case, Battery	11	532124346	Nut, Self-Threading, Wsher Hd 3/16
2	819132012	Washer 13/32 x 1-1/4 x 12 Ga.	12	532145190	Assembly, Frame
3	817490612	Screw, Hex Wsh. Thrdrol 3/8-16 x 3/4	13	532109238	Tube, Battery Drain
4	532124181	Spring, Compression, Seat	15	873640400	Nut, Keps 1/4-20 UNC
5	532125431	Plate, Asm. Battery	16	532141736	Switch Actuator
6	532109596	Clamp, Hose	17	532140782	Drawbar
7	532124144	Pad, Footrest	18	532126470	Clip, Insulated
8	817490512	Screw Thdrol 5/16-18 x 3/4	19	532141650	Fender/Footrest
9	532126997	Console, Shift Control	20	819091413	Washer 9/32 x 7/8 x 13 Ga.
10	532139783	Bar, Shift Lock	25	817190516	Scr-Hx Wsh Thd Rol 5/16-18 x 1

HARDWARE SHOWN LARGER FOR EASIER IDENTIFICATION

REPAIR PARTS

TRACTOR - MODEL NO. LRC12 (JLR12TC90A), PRODUCT NO. 954 20 00-12

FRONT AXLE



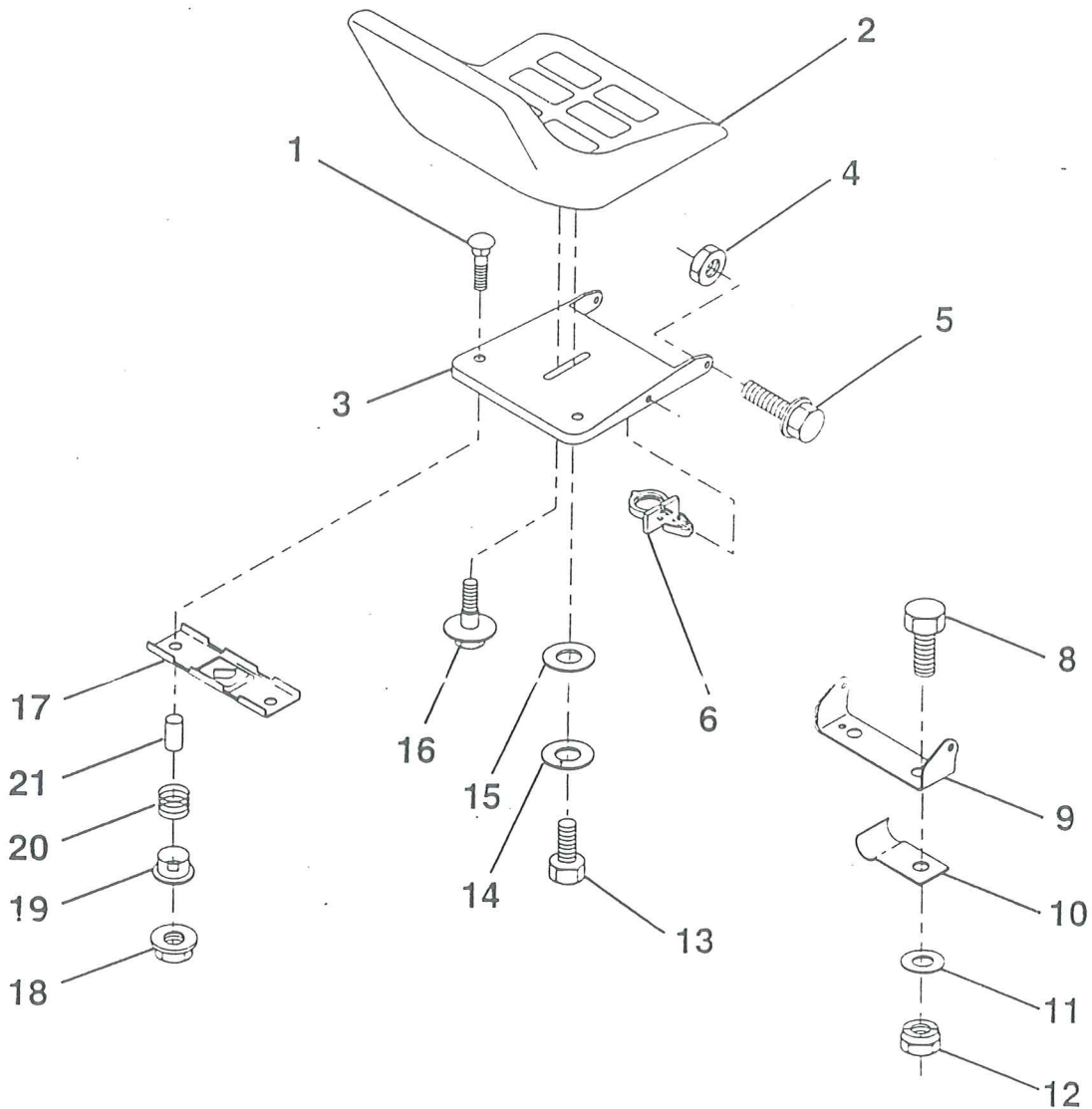
KEY NO.	PART NO.	DESCRIPTION	KEY NO.	PART NO.	DESCRIPTION
1	532121232	Cap, Spindle	10	819131316	Washer 13/32 x 13/16 x 16 Ga.
2	812000029	Ring, Clip	11	532126847	Bushing
3	532121748	Washer 25/32 x 1-5/8 x 16 Ga.	12	532130465	Rod, Tie
4	532124937	Nyliner	13	532137061	Spindle, L.H. Asm.
5	532142033	Axle, Front	14	874011056	Bolt Hex 5/1-11 x 3-1/2
6	532124931	Bearing, Thrust	15	873901000	Nut, Lock Flange 5/8-11
7	532137062	Spindle, R.H. Asm.	16	532110438	Spacer Bearing Axle
8	532121749	Washer 25/32 x 1-1/4 x 16 Ga.	17	532124836	Fitting Grease
9	876020412	Pin, Cotter 1/8 x 3/4	18	819272016	Washer 27/32 x 1-1/4 x 16 Ga.

HARDWARE SHOWN LARGER FOR EASIER IDENTIFICATION

REPAIR PARTS

TRACTOR - MODEL NO. LRC12 (JLR12TC90A), PRODUCT NO. 954 20 00-12

SEAT



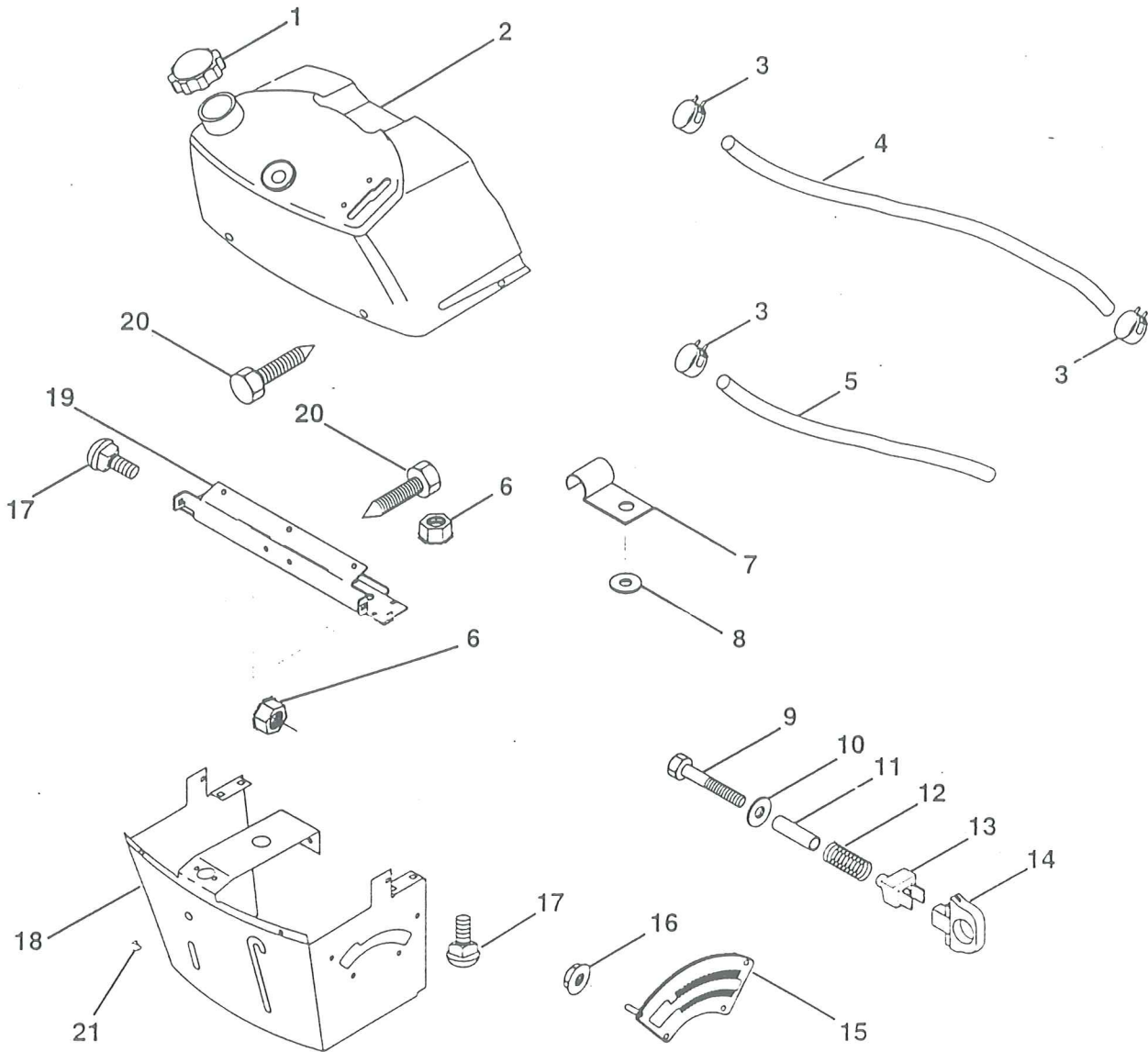
KEY NO.	PART NO.	DESCRIPTION	KEY NO.	PART NO.	DESCRIPTION
1	872050411	Bolt, Carriage 1/4-20 x 1-3/8	12	873800600	Nut, Lock Hex w/Wsh 3/8-16 UNC
2	532127427	Seat	13	874780814	Bolt Hex 1/2-13 x 7/8
3	532155925	Pan, Seat	14	810040800	Washer Lock Hvy. Hlicl Spring 1/2
4	873800500	Nut, Lock Hex w/Ins. 5/16-18	15	819171912	Washer, 17/32 x 1-3/16 x 12 Ga.
5	532153236	Bolt, Shoulder 5/16-18 UNC	16	532127018	Bolt, Shoulder
6	532145006	Clip, Push-in	17	532121246	Bracket, Switch, Mounting
8	874760616	Bolt, Fin Hex 3/8-16 UNC x 1	18	532123976	Nut, Hex Large Flange Lock
9	532140551	Bracket, Pivot Seat	19	532121248	Bushing, Snap
10	532126471	Clip Insulator	20	532121250	Spring, Compression
11	819133210	Washer 12/32 x 2 x 10 Ga.	21	532134300	Spacer, Split 28 Id. x .88 Lg.

HARDWARE SHOWN LARGER FOR EASIER IDENTIFICATION

REPAIR PARTS

TRACTOR - MODEL NO. LRC12 (JLR12TC90A), PRODUCT NO. 954 20 00-12

DASH



KEY NO.	PART NO.	DESCRIPTION
1	532141523	Cap, Fuel
2	532138392	Assembly, Dash & Fuel Tank
3	532123487	Clamp, Hose
4	532008544	Line, Fuel
5	532008548	Line, Fuel
6	873640400	Nut, Hex, Keps 1/4-20
7	532124996	Clip, Fuel Line
8	819091216	Washer 9/32 x 3/4 x 16 Ga.
9	874760428	Bolt, Hex, Fin 1/4-20 x 1-3/4
10	819091413	Washer 11/32 x 11/16 x 16 Ga.
11	532121249	Spacer, Split

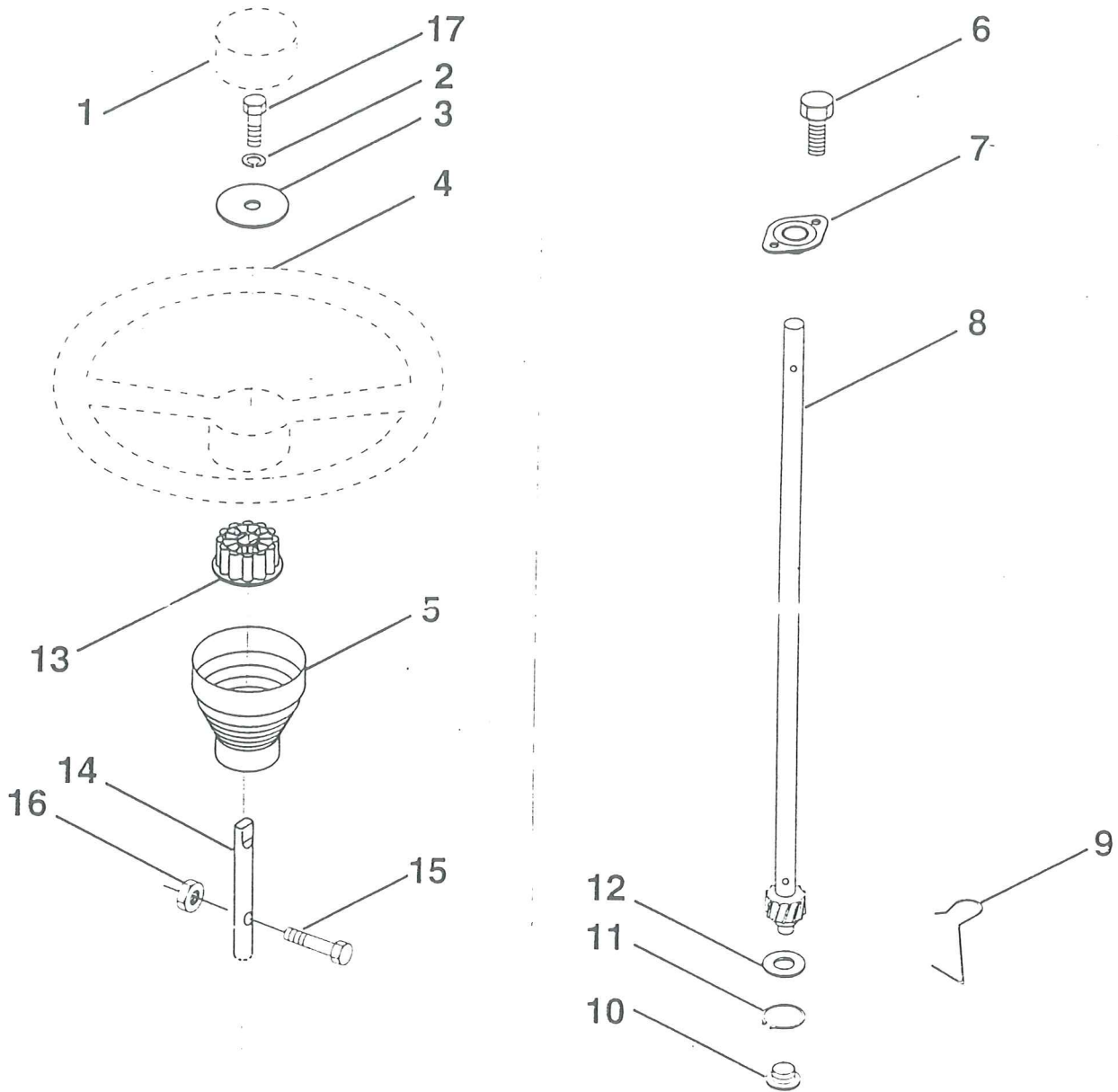
KEY NO.	PART NO.	DESCRIPTION
12	532003720	Spring
13	532126450	Clip, Height Adjustment
14	532126115	Knob, Height Stop
15	532122023	Adjustment, Quadrant Height
16	532124346	Nut, Self-Threading 3/16-18
17	872110404	Bolt, Carriage 1/4-20 x 1/2 Gr. 5
18	532130745	Support Assembly, Dash
19	532134744	Brace, Cross
20	817060408	Screw, Self-Tapping 1/4-20 x 1/2
21	532134014	Plug Dome Black

HARDWARE SHOWN LARGER FOR EASIER IDENTIFICATION

REPAIR PARTS

TRACTOR - MODEL NO. LRC12 (JLR12TC90A), PRODUCT NO. 954 20 00-12

STEERING WHEEL



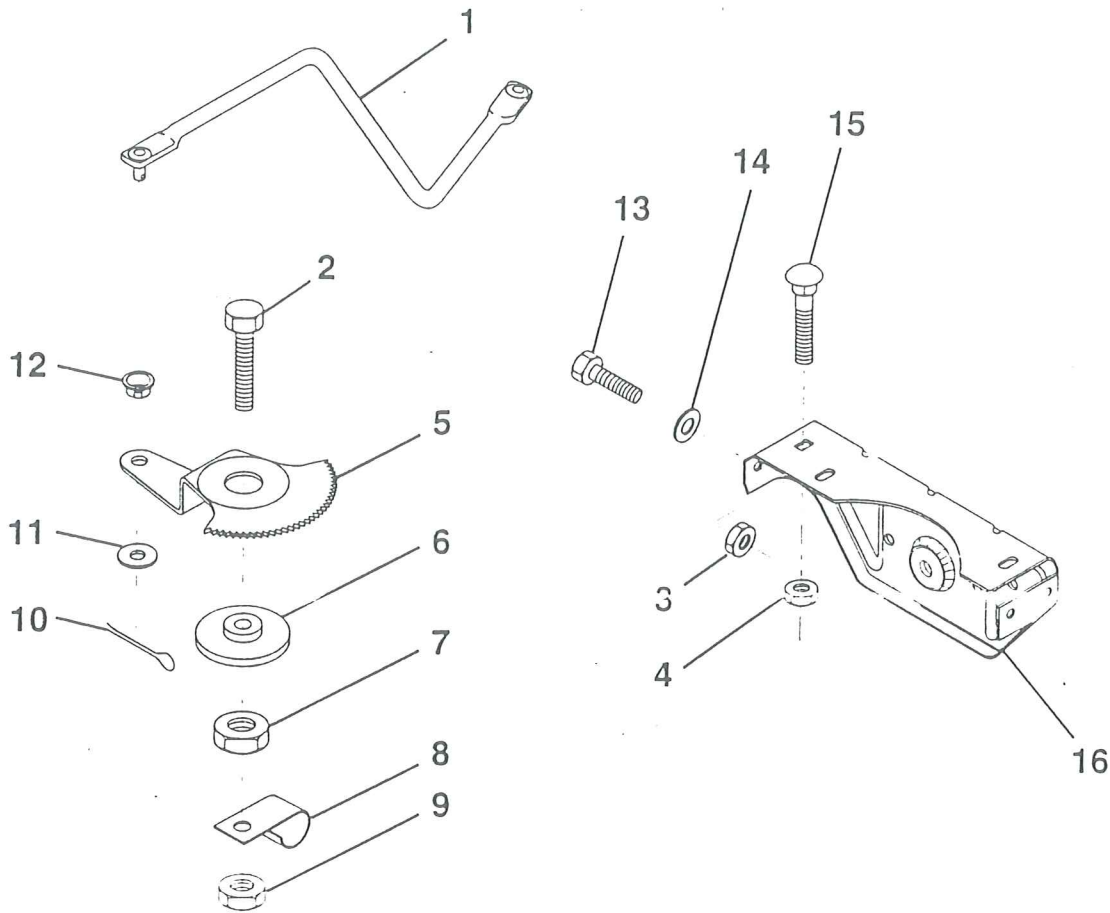
KEY NO.	PART NO.	DESCRIPTION
1	532140175	Insert, Wheel, Steering
2	810040600	Washer Lock Hevy Hlcl
3	819133808	Washer 12/32 x 2-3/8 x 8 Ga.
4	532139768	Wheel, Steering
5	532121897	Sleeve, Steering
6	532152927	Screw
7	532155104	Bushing, Steering
8	532147391	Shaft, Steering

KEY NO.	PART NO.	DESCRIPTION
9	532124210	Clip, Steering
10	532123438	Bushing, Lower, Steering
11	812000045	Ring, Retaining
12	819211616	Washer 21/32 x 1 x 16 Ga.
13	532100711	Adaptor, Wheel, Steering
14	532153720	Extension Shaft Steering
15	874780520	Bolt Fin Hex 5/16-18 UNC x 1-1/4
16	873800500	Nut Lock Hex W/Ins 5/416-18 UNC
17	874780616	Bolt Fin Hex 3/8-16unc x 1

HARDWARE SHOWN LARGER FOR EASIER IDENTIFICATION

REPAIR PARTS

TRACTOR - MODEL NO. LRC12 (JLR12TC90A), PRODUCT NO. 954 20 00-12
SECTOR GEAR / AXLE SUPPORT



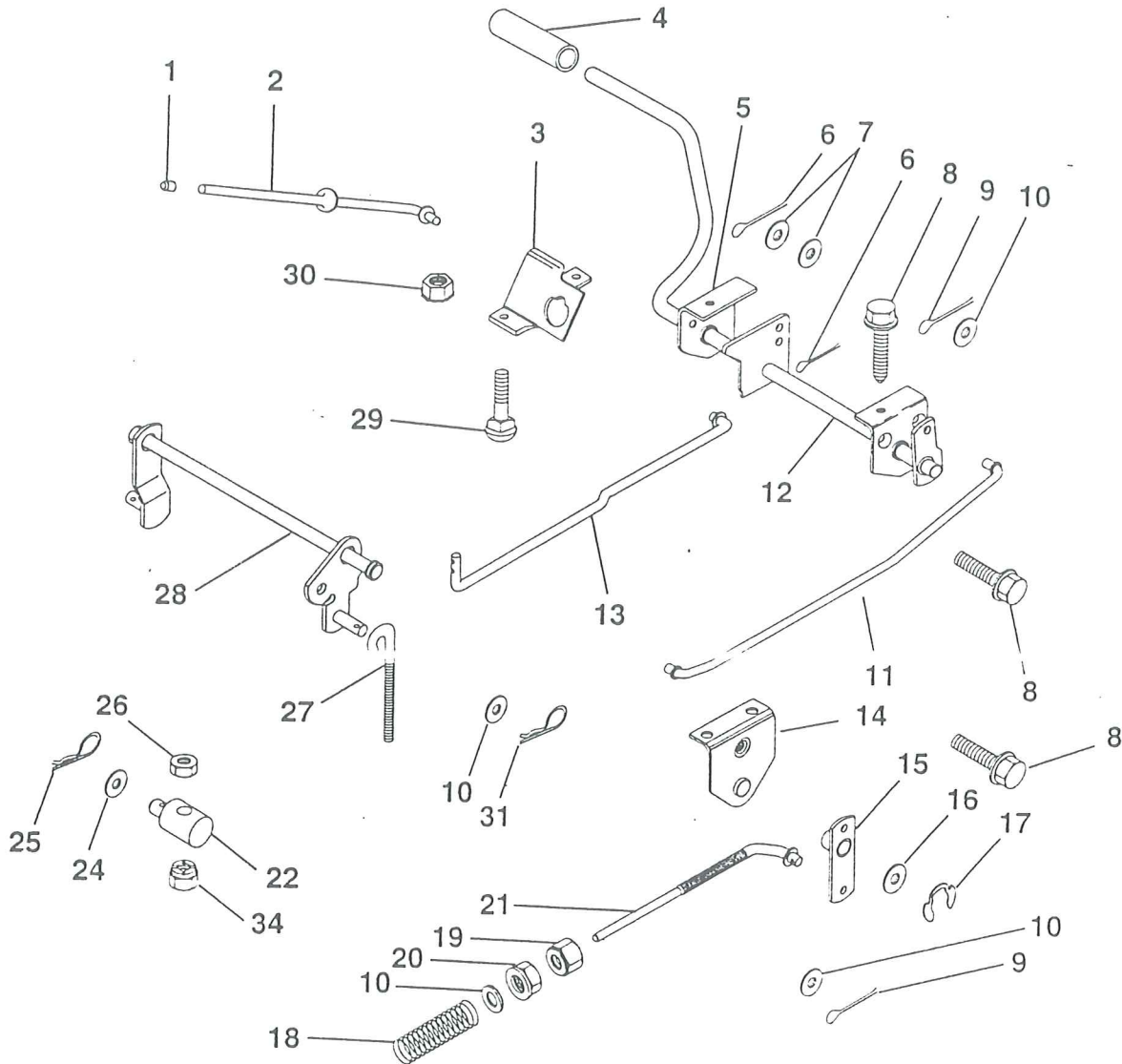
KEY NO.	PART NO.	DESCRIPTION
1	532132566	Link, Drag
2	874780828	Bolt, Fin Hex 1/2-13 x 1-3/4
3	873680500	Nut, Crownlock 5/16-18
4	873680600	Nut, Crownlock 3/8-16
5	532121926	Gear, Sector
6	532121927	Bushing
7	873030800	Nut, Heavy Hex Top Lock 1/2-13 UNC
8	532126472	Clip, Insulated

KEY NO.	PART NO.	DESCRIPTION
9	873680800	Nut, Crownlock 3/8-16
10	876020412	Pin, Cotter 1/8 x 3/4
11	819131316	Washer, 13/32 x 13/16 x 16 Ga.
12	532126847	Bushing
13	874760512	Bolt, Hex Hd. 5/16-18 UNC x 3/4
14	819111416	Washer 11/32 x 7/8 x 16 Ga.
15	872110506	Bolt, Carriage 3/8-16 UNC x 3/4
16	532137096	Support, Front Axle

HARDWARE SHOWN LARGER FOR EASIER IDENTIFICATION

REPAIR PARTS

TRACTOR - MODEL NO. LRC12 (JLR12TC90A), PRODUCT NO. 954 20 00-12
 BRAKE / REAR MOWER LIFT ASSEMBLY

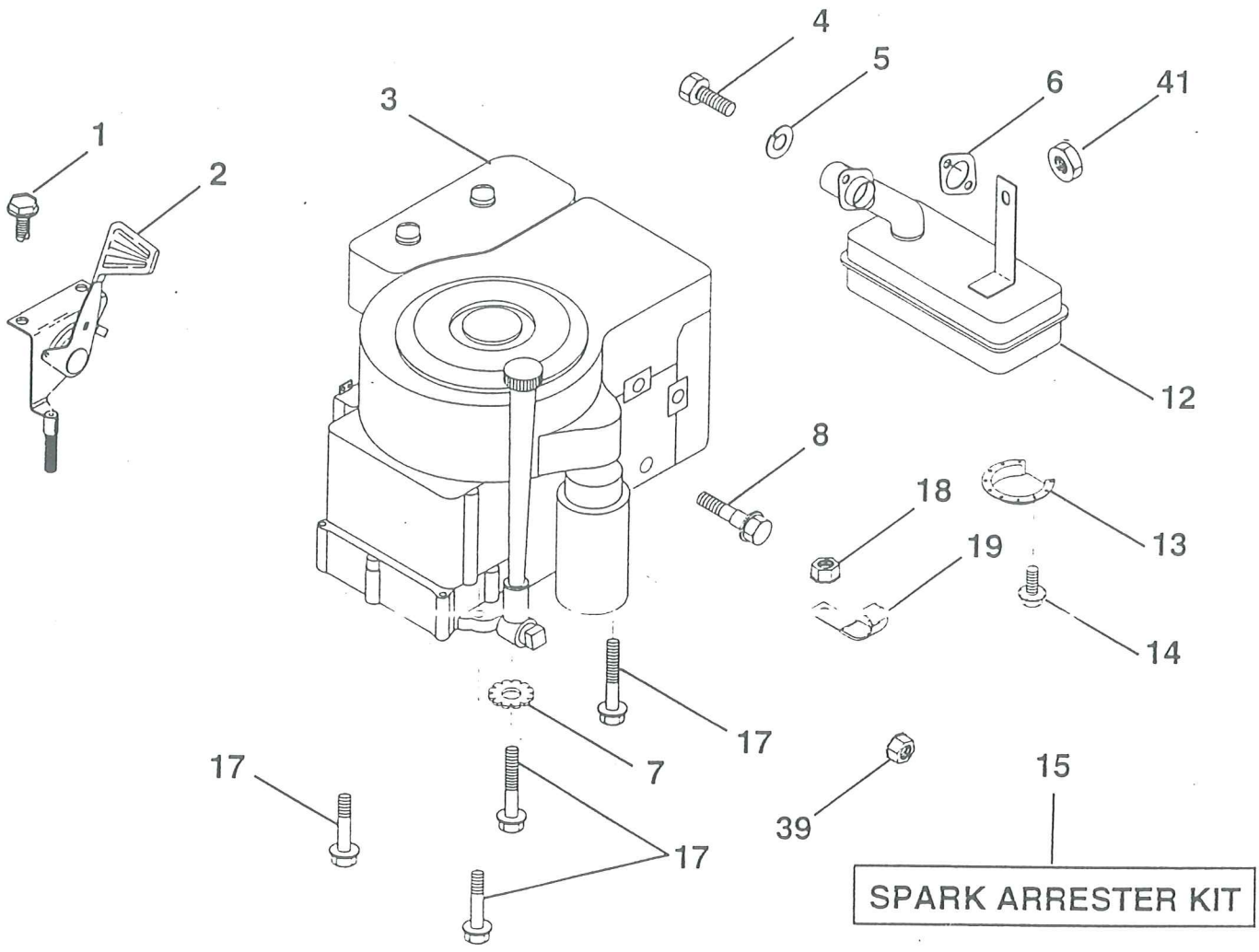


KEY NO.	PART NO.	DESCRIPTION	KEY NO.	PART NO.	DESCRIPTION
1	532071673	Cap, Plunger	16	819251816	Washer 25/32 x 1-1/8 x 16 Ga.
2	532123436	Rod, Parking Brake	17	812000034	Ring, Klip
3	532123437	Bracket, Parking Brake	18	532151332	Spring, Brake Rod
4	532124872	Cover, Pedal	19	873350600	Nut, Hex, Jam 3/8-16 UNC
5	532122504	Bracket, Clutch/Brake Pedal, L.H.	20	873800600	Nut, Lock, Hex W/Ins. 3/8-16 UNC
6	876020312	Pin, Cotter 3/32 x 3/4	21	532131460	Rod, Rear Brake
7	819131016	Washer 13/32 x 5/8 x 16 Ga.	22	532144585	Trunnion, Lift
8	817490508	Screw, Hex, Thd. Roll. 5/16-18 x 1/2	24	819132012	Washer 13/32 x 1-1/4 x 12 Ga.
9	876020412	Pin, Cotter 1/8 x 3/4	25	532124961	Spring, Retainer
10	819131316	Washer 13/32 x 13/16 x 16 Ga.	26	873930600	Nut, Centerlock 3/8-16 UNC
11	532123543	Rod, Brake Front	27	532127369	Link, Threaded
12	532139933	Assembly, Clutch/Brake Pedal	28	532140776	Assembly, Rear Mower Lift
13	532123394	Rod, Clutch	29	872110506	Bolt, Carriage 5/16-18 UNC x 3/4
14	532121978	Bracket, Lift, Shaft	30	873510500	Nut, Keps 5/16-16 UNC
15	532133332	Assembly, Brake, Pivot. Arm	31	532124660	Retainer, Spacer
			34	873680600	Nut, Crownlock 3/8-16 UNC

HARDWARE SHOWN LARGER FOR EASIER IDENTIFICATION

REPAIR PARTS

TRACTOR - MODEL NO. LRC12 (JLR12TC90A), PRODUCT NO. 954 20 00-12
ENGINE



KEY NO.	PART NO.	DESCRIPTION
1	817060408	Screw, Hex Thd. Cut 1/4-20 x 1/2
2	532132752	Control, Throttle
3	-----	Engine (See Breakdown) Tec Model 206803A
4	532123528	Bolt Hex Hd Phillips
5	8100 0500	Washer, Lock Heavy Helical Spring 5/16
6	532272293	Gasket, Exhaust
7	811050600	Washer Lock Ext. Tooth 3/8
8	532081328	Bolt, Shoulder 1/4-20 UNC X .94
12	532156448	Muffler

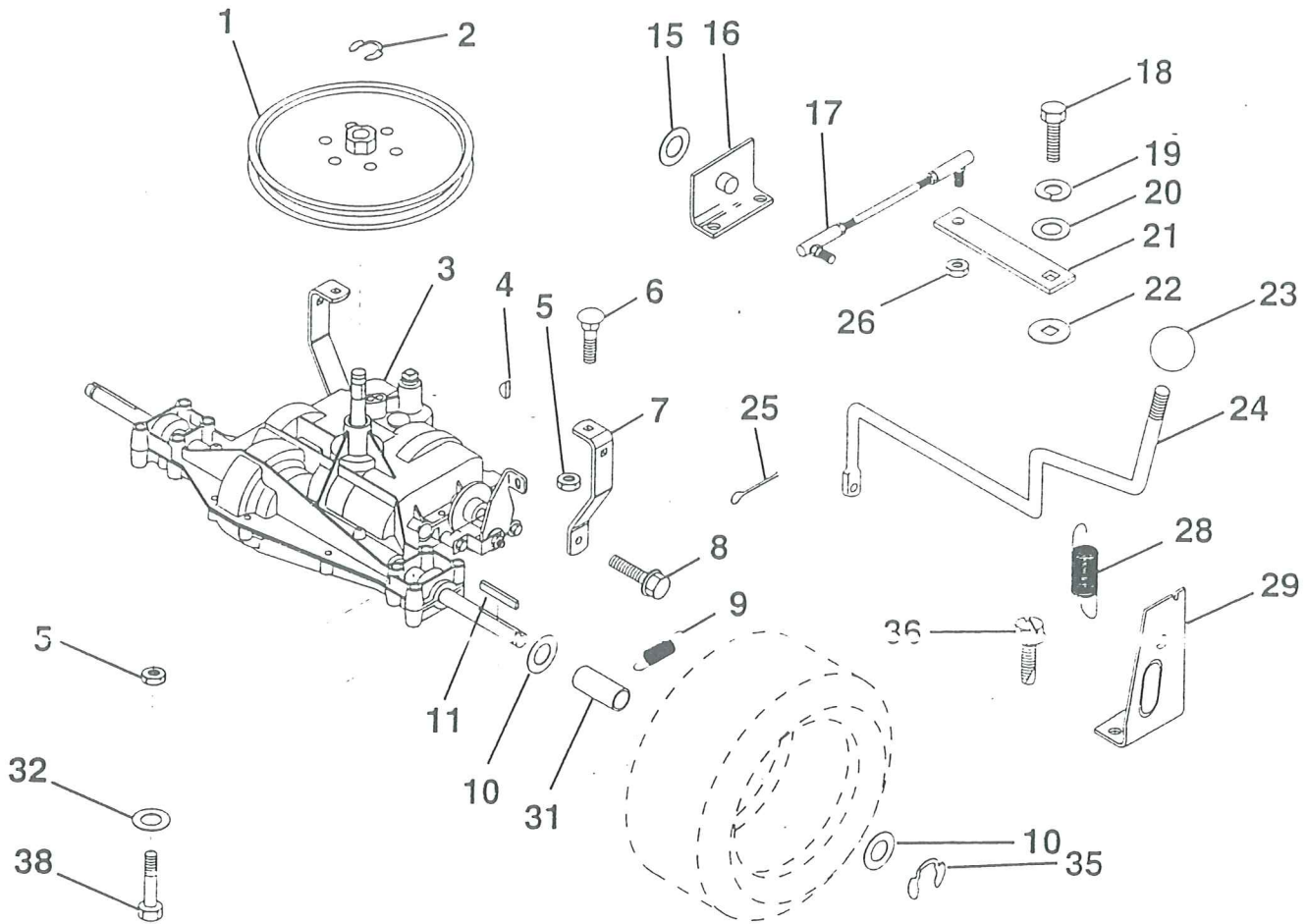
KEY NO.	PART NO.	DESCRIPTION
13	532101326	Deflector, Muffler
14	817030808	Screw, Spiderloc
15	532137180	Arrester, Spark (Optional equipment)
17	817490624	Screw, Hex Washer Head, Thdrol. 3/8-16 x 1-1/2
18	873510600	Nut, Keps Hex 3/8-16
19	532124996	Clip, Line Fuel
39	532128861	Nut Flange 1/4-20
41	873900500	Nut Lock Hex Flange 5/16-18

HARDWARE SHOWN LARGER FOR EASIER IDENTIFICATION

REPAIR PARTS

TRACTOR - MODEL NO. LRC12 (JLR12TC90A), PRODUCT NO. 954 20 00-12

TRANSAXLE

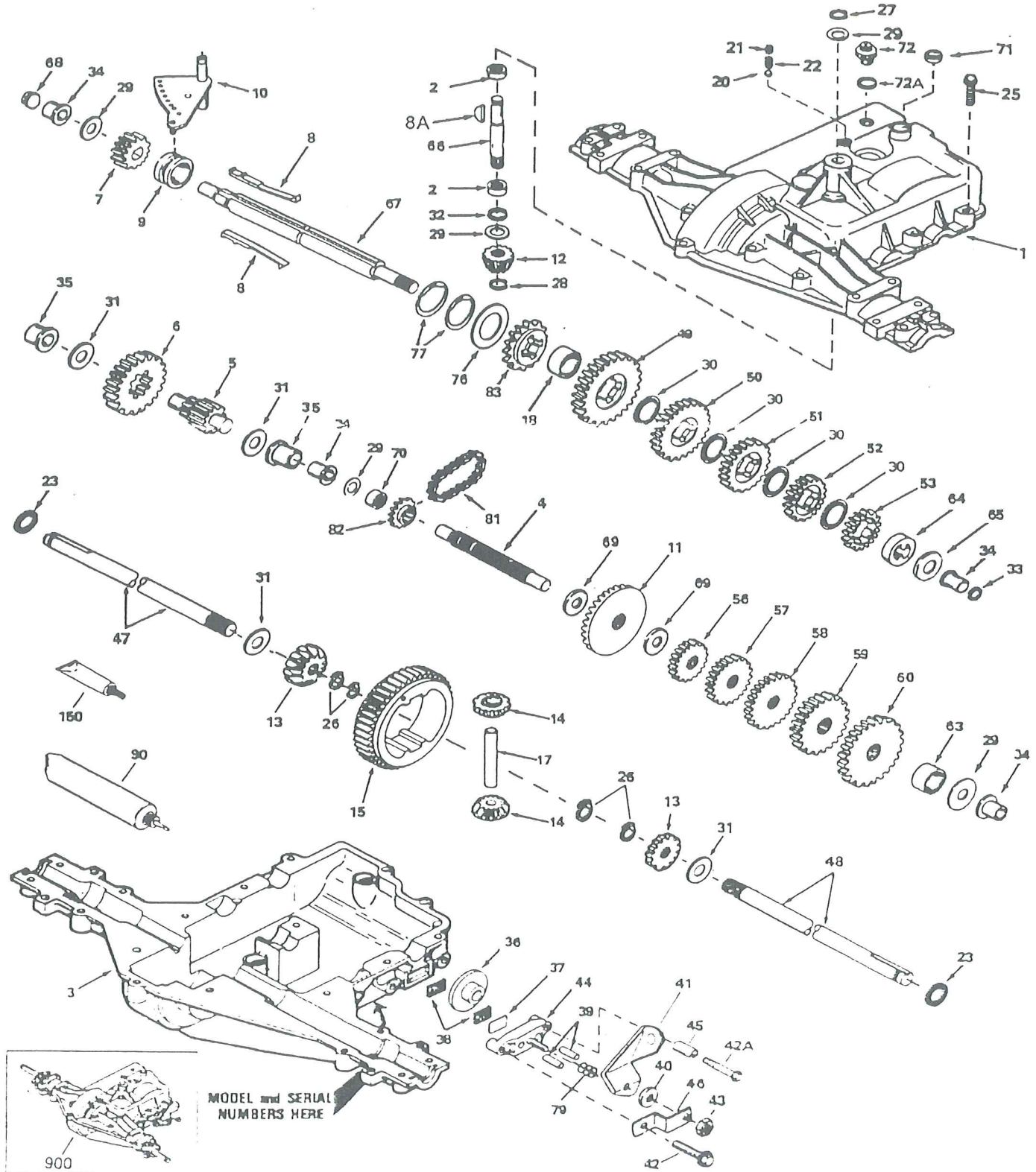


KEY NO.	PART NO.	DESCRIPTION	KEY NO.	PART NO.	DESCRIPTION
1	532123385	Pulley	18	874550412	Bolt 1/4-28 UNF Gr. 8 W/Patch
2	812000028	Ring, Retainer	19	810040400	Washer, Lock 1/4
3	-----	Transaxle (See Breakdown)	20	819091210	Washer 9/32 x 3/4 x 10 Ga.
		Peerless 390-009A	21	532126292	Arm, Shift
4	532125096	Key, Woodruff #9	22	532105701	Washer, Shift Plate
5	873680500	Nut, Crownlock 5/16-18	23	532121274	Knob, Duckhead
6	872140506	Bolt, Carriage 5/16-18 UNC x 3/4	24	532128215	Rod Shift
7	532123378	Strap, Torque	25	876020416	Pin, Cotter 1/8 x 1
8	817490512	Screw 5/16-18 x 3/4	26	873810500	Locknut 5/16-24 UNF
9	532146682	Spring, Brake	28	532128085	Extension, Spring
10	532121749	Washer 25/32 x 1-1/4 x 16 Ga.	29	532128084	Support Handle Shift RH
11	532123583	Key, Square	32	819111116	Washer 11/32 x 11/16 x 16
15	819171616	Washer 17/32 x 1 x 16 Ga.	31	532137057	Spacer Axle
16	532124600	Support Handle Shift LH	35	812000001	E-Ring
17	532126293	Link, Shift	36	817720408	Screw, Thdrol 5/16-18 x 1/2
			38	874490544	Bolt, Hex Hd 5/16-18 x 2-3/4

HARDWARE SHOWN LARGER FOR EASIER IDENTIFICATION

REPAIR PARTS

TRACTOR - MODEL NO. LRC12 (JLR12TC90A), PRODUCT NO. 954 20 00-12
TRANSAXLE PEERLESS MODEL NO. P930-009A



REPAIR PARTS

TRACTOR - MODEL NO. LRC12 (JLR12TC90A), PRODUCT NO. 954 20 00-12

TRANSAXLE PEERLESS MODEL NO. P930-009A

REF PART NO. NO.	DESCRIPTION	REF PART NO. NO.	DESCRIPTION
1	772108A	42A	792085A
2	780086	43	792075
3	770102A	44	790025
4	776260	45	786066
5	776219B	46	786086
6	778139	47	774690
7	778136	48	774691
8	792136A	49	778191
8A	792047	50	778124A
9	784352	51	778123A
10	784355	52	778122A
11	778229	53	778273
12	778113A	56	778230
13	778221	57	778126A
14	778068	58	778127A
15	778260	59	778128A
17	786139	60	778163
18	786102	63	786071
20	792077	64	786072
21	792078	65	780109
22	792079	66	776135
23	788061	67	776315A
25	792073	68	786116A
		69	780051
26	792125	70	786118
		71	788069
27	792035	72	792165
28	788040	72A	788091
29	780072	76	780090
30	780108	77	788078A
31	780001		
32	792001	79	792144
33	788095	81	786081
34	780105A		
35	780118A	82	786082
36	790003	83	786123
37	790007	90	788067B
38	799021	150	510334
39	786026	900	794528A
40	792076A		
41	790079		
42	792073		

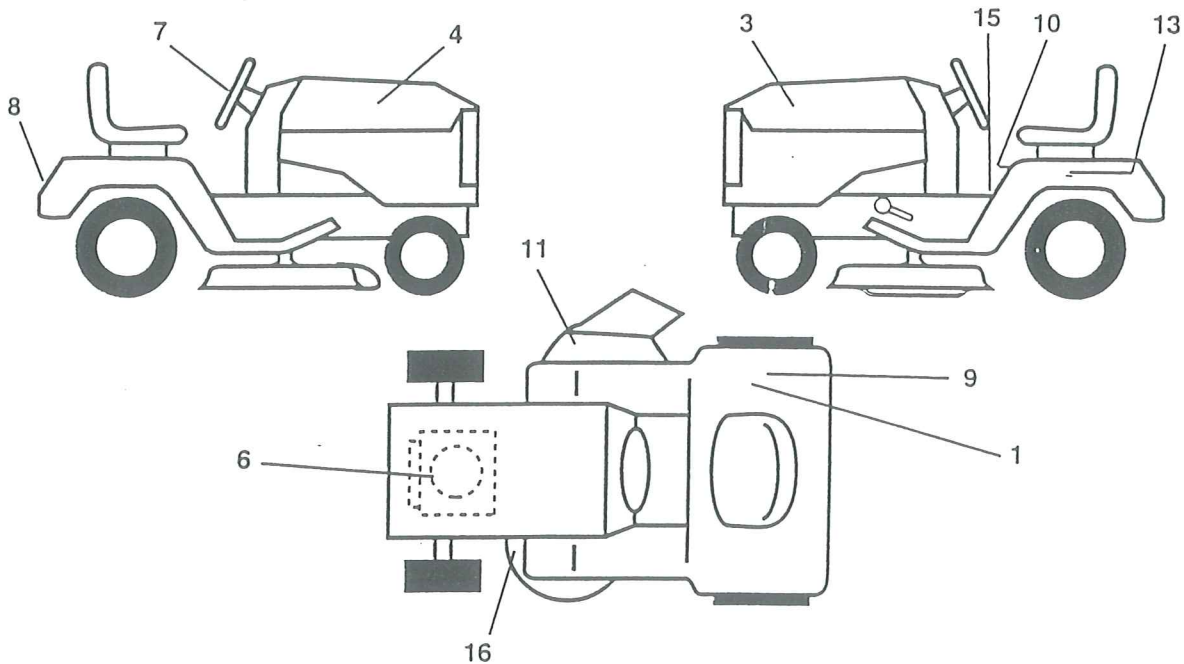
NOTE: All component dimensions given in U.S. inches
1 inch = 25.4 mm

Parts must be ordered from Tecumseh Products Co.

REPAIR PARTS

TRACTOR - MODEL NO. LRC12 (JLR12TC90A), PRODUCT NO. 954 20 00-12

DECALS

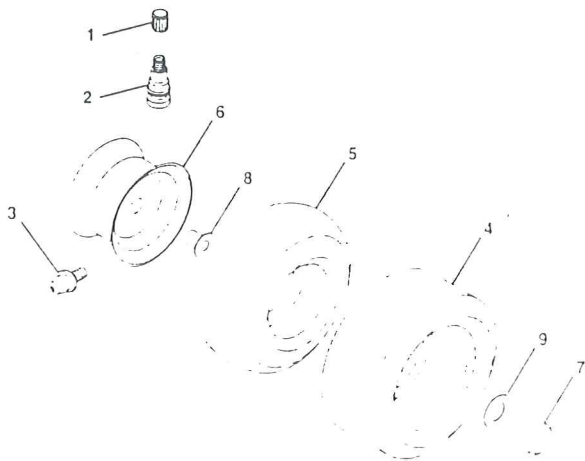


KEY NO.	PART NO.	DESCRIPTION
1	532145437	Decal, Europe, Stand. CE Tractor
3	532158359	Decal, Hood, L. H.
4	532158358	Decal, Hood, R. H.
6	532156954	Decal, Engine
7	532141174	Decal, Ins. Steering
8	532141761	Decal, Logo, Fender
9	532126187	Decal, Certification, (French/Dutch)
10	532145498	Decal, Read Owner's Manual
11	532145494	Decal, Cutfinger

KEY NO.	PART NO.	DESCRIPTION
13	532145005	Decal, Caution, Battery
15	532145545	Decal, Op. Instruction, Symbols
16	532136830	Decal, V-Belt Sch.
--	532138311	Decal, Height Adj.
--	532157015	Manual, Oper. (Euro)
--	532157016	Manual, Oper. (Scan)

Accessories (Not included with tractor)
 -- C36 Bagger
 -- MK360 Mulch Kit

WHEELS & TIRES

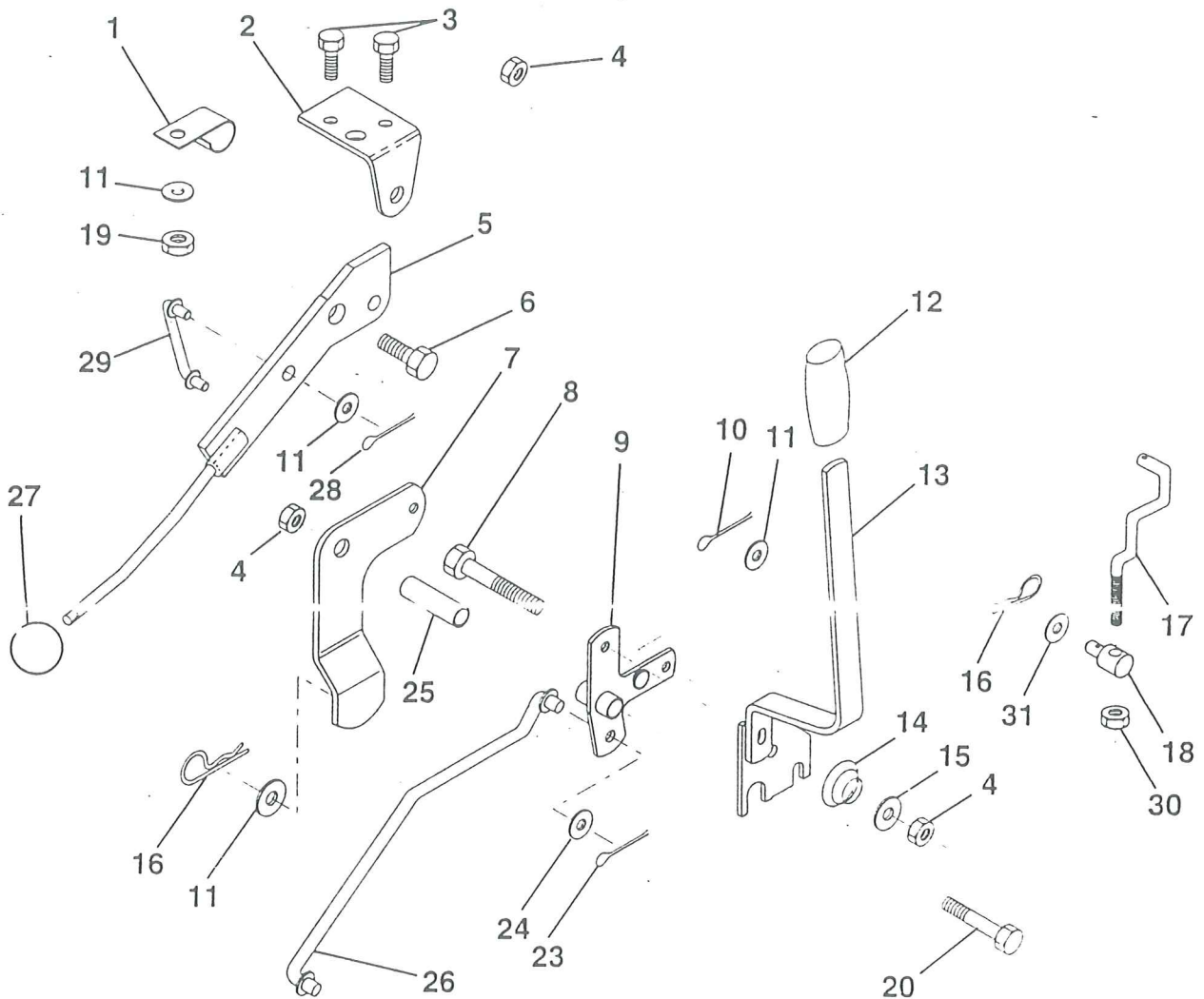


KEY NO.	PART NO.	DESCRIPTION
1	532059192	Cap. Valve
2	532065139	Stem, Valve
3	532124957	Fitting, Grease (Front Wheels Only)
4	532137422	Tire, Front
4	532132703	Tire, Rear
5	532059904	Tube, Front (Optional Service Items Only)
5	532008134	Tube, Rear (Optional Service Items Only)
6	532142039	Rim, Front
6	532141652	Rim, Rear
7	532104757	Cap Axle
8	532124959	Bearing Flange
9	532121748	Washer 25/32 x 1-5/8 x 16 Ga.
--	532144334	Sealant, Tire (10 oz. Tube)

REPAIR PARTS

TRACTOR - MODEL NO. LRC12 (JLR12TC90A), PRODUCT NO. 954 20 00-12

MOWER LIFT LEVER

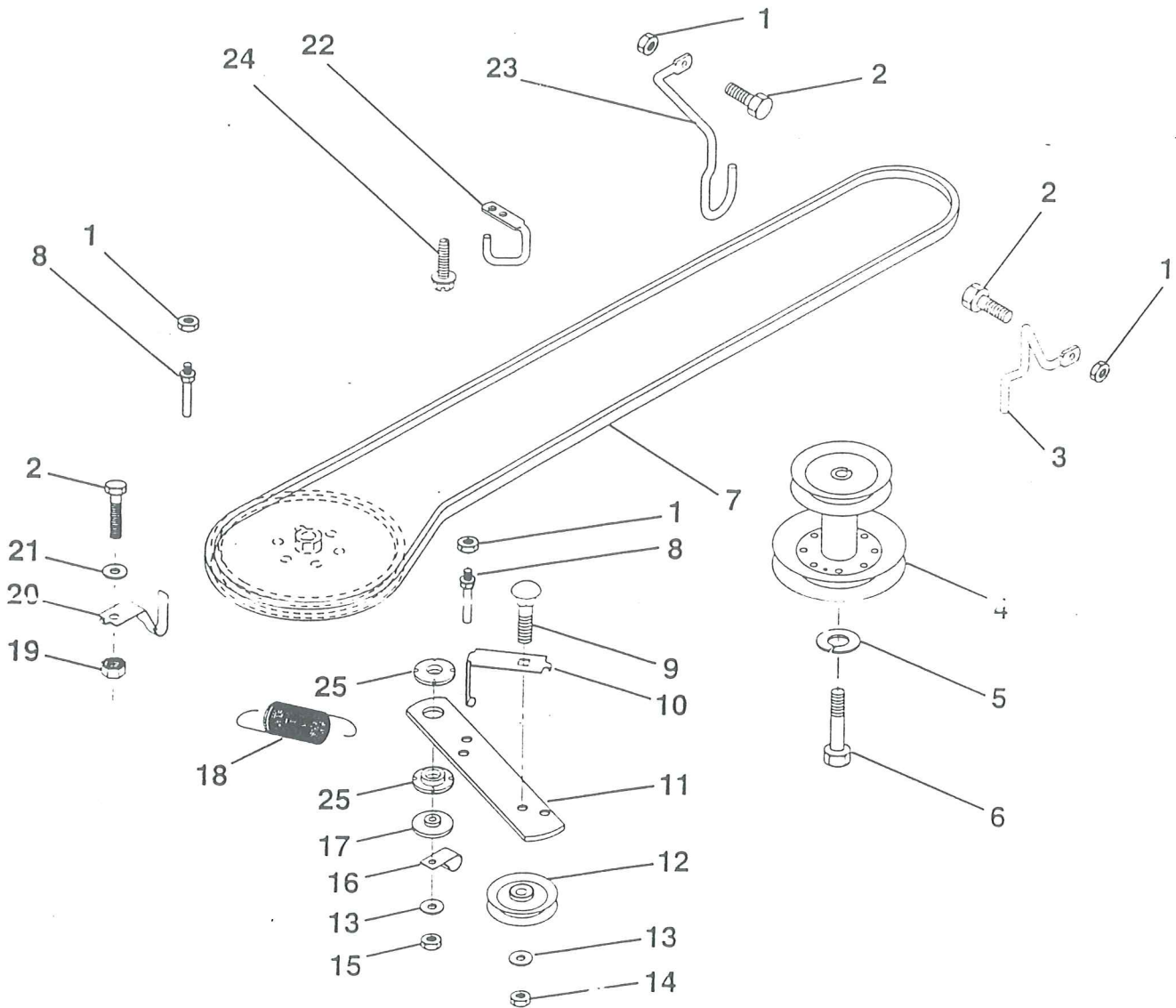


KEY NO.	PART NO.	DESCRIPTION	KEY NO.	PART NO.	DESCRIPTION
1	532126470	Clip, Insulated	15	819131212	Washer 13/32 x 3/4 x 12 Ga.
2	532122018	Bracket, Mower Clutch	16	532124961	Retainer, Spring
3	871110408	Bolt, Fin. Hex 1/4-20 UNC x 1/2	17	532127359	Link, Front Lift
4	873680600	Nut, Crownlock 3/8-16	18	532142028	Trunnion, Threaded 3/8-16
5	532145187	Assembly, Clutch Lever	19	873680400	Nut, Crownlock 1/4-20
6	532106451	Bolt, Shoulder 3/8-16 UNC x 2-3/4	20	874760644	Bolt, Fin. Hex
7	532135371	Assembly, Mower Clutch Arm	23	876020416	Pin, Cotter 1/8 x 1
8	874760636	Bolt, Hex 3/8-16 UNC x 2-1/4	24	819171612	Washer 17/32 x 1 x 12 Ga.
9	532121930	Assembly, Bellcrank Lift	25	532121933	Tube, Spacer
10	876020412	Pin, Cotter 1/8 x 3/4	26	532141470	Rod, Mower Lift
11	819131316	Washer 13/32 x 13/16 x 16 Ga.	27	532121466	Knob
12	532122027	Grip, Handle	28	876020312	Pin, Cotter 3/32 x 3/4
13	532139352	Assembly, Lift Handle	29	532131655	Link, Mower Clutch
14	532123496	Spring, Compression	30	873350600	Nut Hex Jam 3/8-16 x 1.30
			31	819132012	Washer 13/32 x 1-1/4 x 12 Ga.

HARDWARE SHOWN LARGER FOR EASIER IDENTIFICATION

REPAIR PARTS

TRACTOR - MODEL NO. LRC12 (JLR12TC90A), PRODUCT NO. 954 20 00-12
GROUND DRIVE

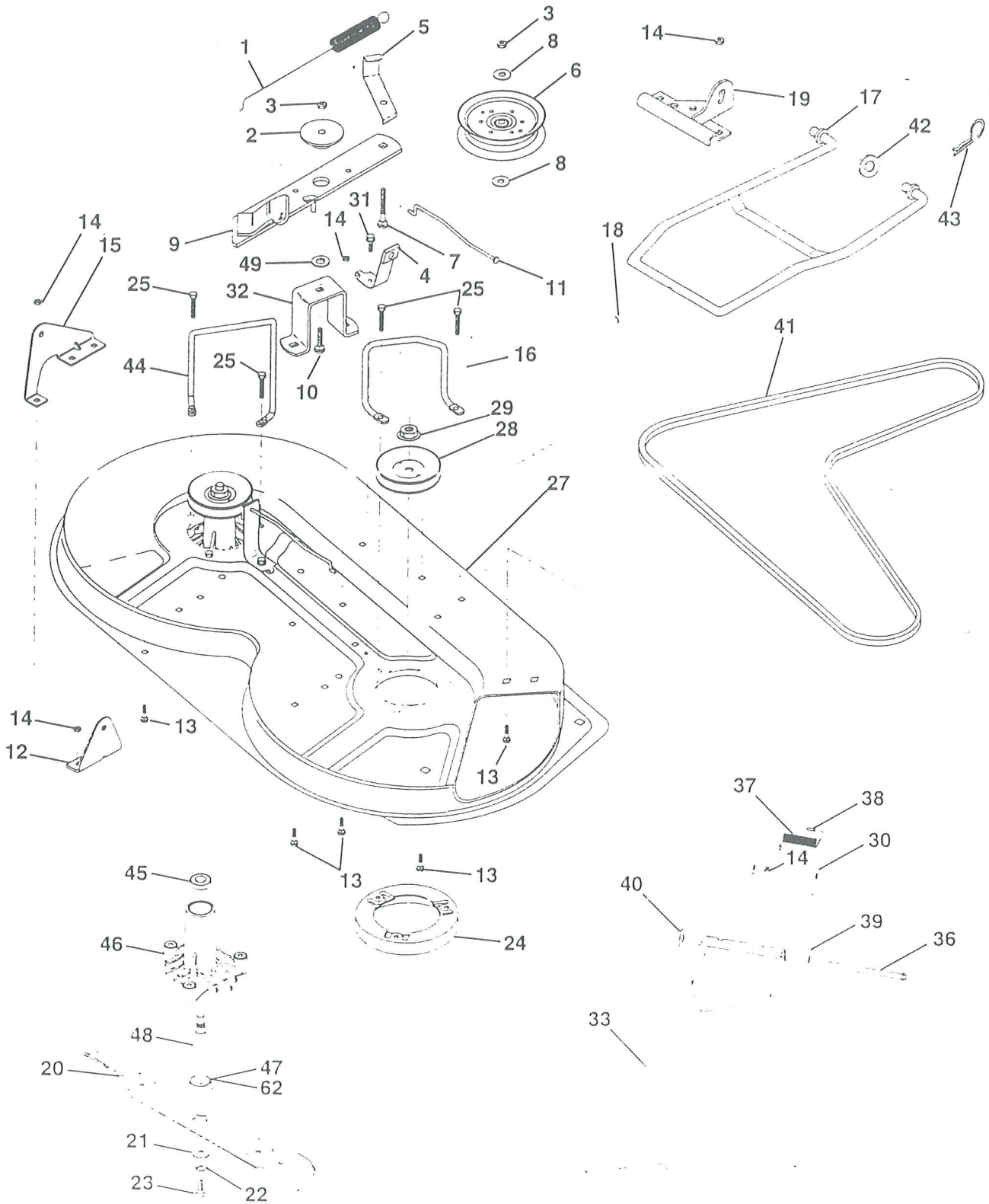


KEY NO.	PART NO.	DESCRIPTION	KEY NO.	PART NO.	DESCRIPTION
1	873680500	Nut, Crownlock 5/16-18	14	873930600	Nut, Centerlock 3/8-16 UNC
2	874760512	Bolt, Hex Hd 5/16-18 UNC x 3/4	15	873680600	Nut, Crownlock 3/8-16
3	532141342	Keeper, Mower Drive, R.H.	16	532126471	Clip, Insulated
4	532138029	Pulley, Engine	17	532150932	Spacer, Retainer
5	810040700	Washer, Lock 7/16	18	532131459	Spring Extension
6	871170744	Bolt Hex 7/16-20 Gr. 5	19	873510500	Nut, Keps 5/16-18 UNC
7	532126520	Traction, V-Belt Drive	20	532139919	Keeper, T/A Ground Drive Belt
8	532123405	Keeper, T/A Ground Drive Belt	21	819111016	Washer 11.32 x 5.8 x 16 Ga.
9	872140612	Boit, Carr. 3.8-16 UNC x 1-1/2	22	532123404	Keeper, Frame Ground Drive Belt
10	532123396	Keeper, Belt Ground Drive Idler	23	532140916	Keeper, Mower Drive, L.H.
11	532150926	Arm, Ground Drive Clutch	24	817720408	Screw, Thd. Cut 1/4-20 x 1/2
12	532123674	Idler, Flat	25	532150935	Bushing, Nylon
13	819131316	Washer 13/32 x 13/16 x 16 Ga.			

HARDWARE SHOWN LARGER FOR EASIER IDENTIFICATION

REPAIR PARTS

TRACTOR - MODEL NO. LRC12 (JLR12TC90A), PRODUCT NO. 954 20 00-12
MOWER DECK



REPAIR PARTS

TRACTOR - MODEL NO. LRC12 (JLR12TC90A), PRODUCT NO. 954 20 00-12

MOWER DECK

KEY NO.	PART NO.	DESCRIPTION
1	532140064	Spring, Mower Clutch
2	532122052	Spacer, Retainer
3	873680600	Nut, Crownlock 3/8-16
4	532130840	Brake Asm.
5	532131251	Guide, Belt Idler
6	532121316	Pulley, Flat Idler
7	872110616	Bolt, Carr. 3/8-16 x 1-3/4 Gr. 5
8	819131410	Washer 13/21 x 7/8 x 10 Ga.
9	532127744	Arm Asm., Idler Mower
10	872140610	Bolt, Carriage 3/8-16 x 1-1/4
11	532130841	Rod, Brake
12	532127356	Bracket, Lift R. H. Rear
13	872140506	Bolt, Carriage 5/16-18 x 3/4
14	873680500	Nut, Crownlock 5/16-18
15	532127357	Bracket, Lift L. H. Rear
16	532153298	Keeper, R. H.
17	532128508	Link, Asm. Mower Stabilizer
18	532128511	Pin, Drive
19	532127380	Bracket, Asm. Front
20	532138496	Blade, High Lift
21	532140296	Washer, Hard
22	810030600	Washer, Lock 3/8
23	532850857	Bolt 3/8-24 x 1-1/4 Gr. 8
24	532140329	Stripper
25	532138776	Screw Thdrol Hex Hd
27	532156600	Deck Assembly
28	532153531	Pulley, Mandrel
29	532137266	Nut, Flangelock 9/16
30	532136631	Bracket, Asm. Deflector
31	817490508	Screw, Hex Wsh. Thdrol. 5/16-18 x 1/2
32	532122051	Arm, Support Idler Mower
33	532131560	Deflector
36	532121980	Rod, Hinge
37	532123713	Spring, Torsion Deflector
38	532105304	Cap, Sleeve
39	819111016	Washer 11/32 x 5/8 x 16 Ga.
40	532110452	Pushnut
41	532131264	V-Belt
42	819171616	Washer 11/32 x 5/8 16 Ga.
43	532124660	Retainer, Spring
44	532140608	Keeper, L. H.
45	532110485	Bearing
46	532128774	Housing Mandrel Vented
47	532129895	Bearing
48	532137645	Shaft, Mandrel (Includes Key # 47)
49	532133943	Washer Hardened
62	532153390	Washer, Felt
--	532130794	Mandrel Asm. (Includes Key No.'s 22-23, 26, 29 and 45-48)
--	532156866	Deck, Mower Complete

HARDWARE SHOWN LARGER FOR EASIER IDENTIFICATION