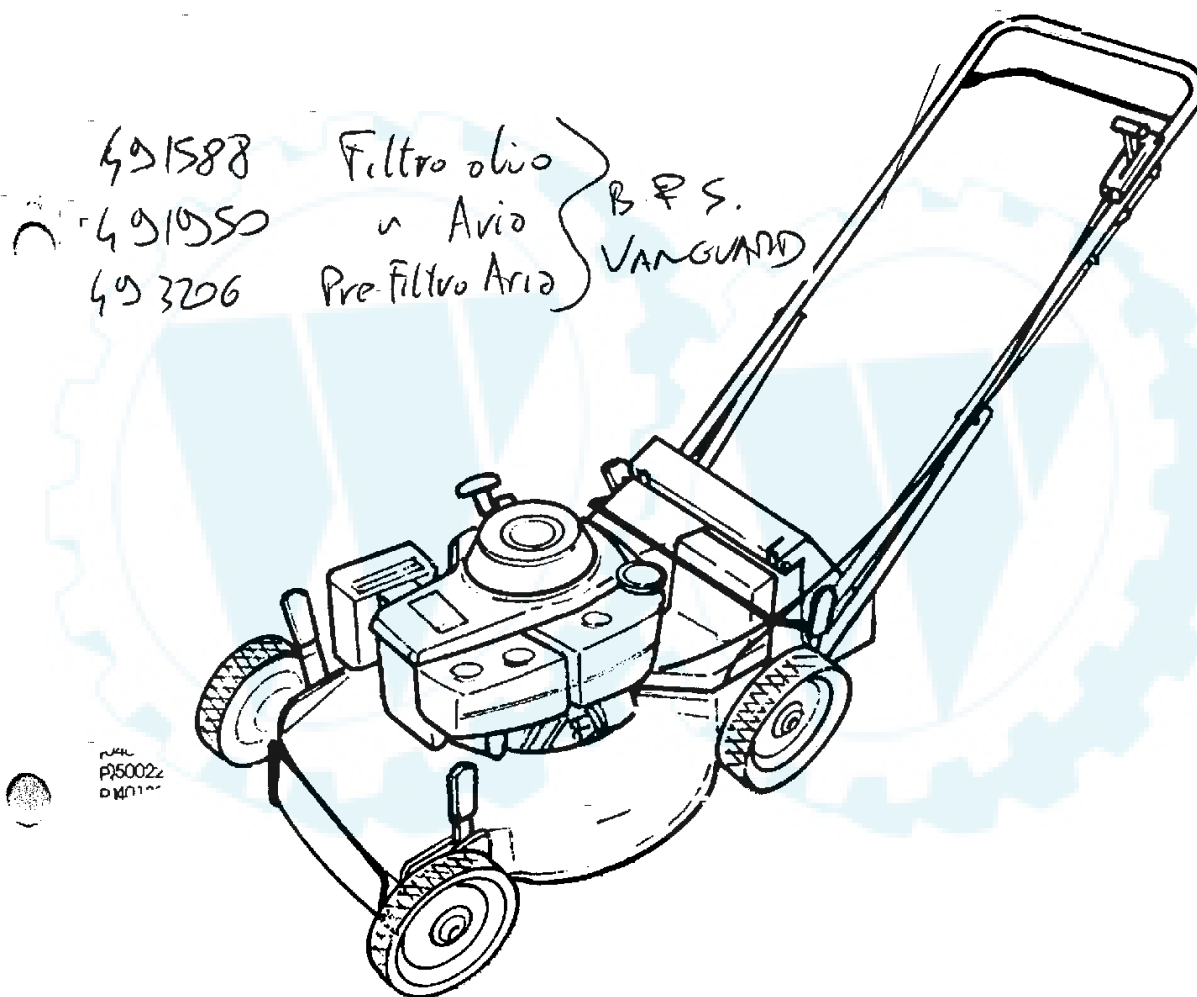


# IBEA

LISTA RICAMBI  
SPARE PART LIST  
ERSATZTEILLISTE  
LISTE DES PIECES DE RECHANGE



5318

**530 GARDEN PRO**



REF. N°	PART. N°	QTY	DESCRIZIONE	DESCRIPTION	DESCRIPTION	BESCHREIBUNG
1	P5140004	1	DECALCO	LABEL	MARQUAGE	AUFKLEBER
2	P5140503	1	DECALCO	LABEL	MARQUAGE	AUFKLEBER
*	P5110012	1	CHIAVE CANDELA 16	KEY 16	CLEF 16	SCHLUESSEL 16
*	P2020138	1	TARGHETTA IBEA	IBEA PLAQUE	IBEA PLAQUE	IBEA AUFKLEBER
*	P5110013	1	CHIAVE x LIMITATORE	KEY	CLEF	SCHLUESSEL
*	P5090053	1	MANUALE ISTRUZIONI	INSTRUCTION MANUAL	MODE D'EMPLOI	BEDIENUNGSANLEITUNG



**WARNING  
DANGER!**

Blade rotates when engine is running. Only use the mower with grass catcher in place or with safety chute door closed. Disconnect high tension wire from spark plug before performing any repairs or maintenance to the machine.

**ATTENZIONE  
PERICOLO!**

Le lame gira quando il motore è in moto. Usate il falciatore soltanto con il sacco di raccolta montato oppure con il portello di sicurezza chiuso. Prima di ogni riparazione o manutenzione staccate il cavo di accensione dalla candela.

**VORSICHT,  
GEFAHR!**

Rotierende Messer bei laufendem Motor! Benutzen Sie den Mäher nur mit montiertem Grassammel oder geschlossener Schutzklappe. Vor Reparatur oder Servicearbeiten am Mäher unbedingt Zündkabel von Zündkerze entfernen!

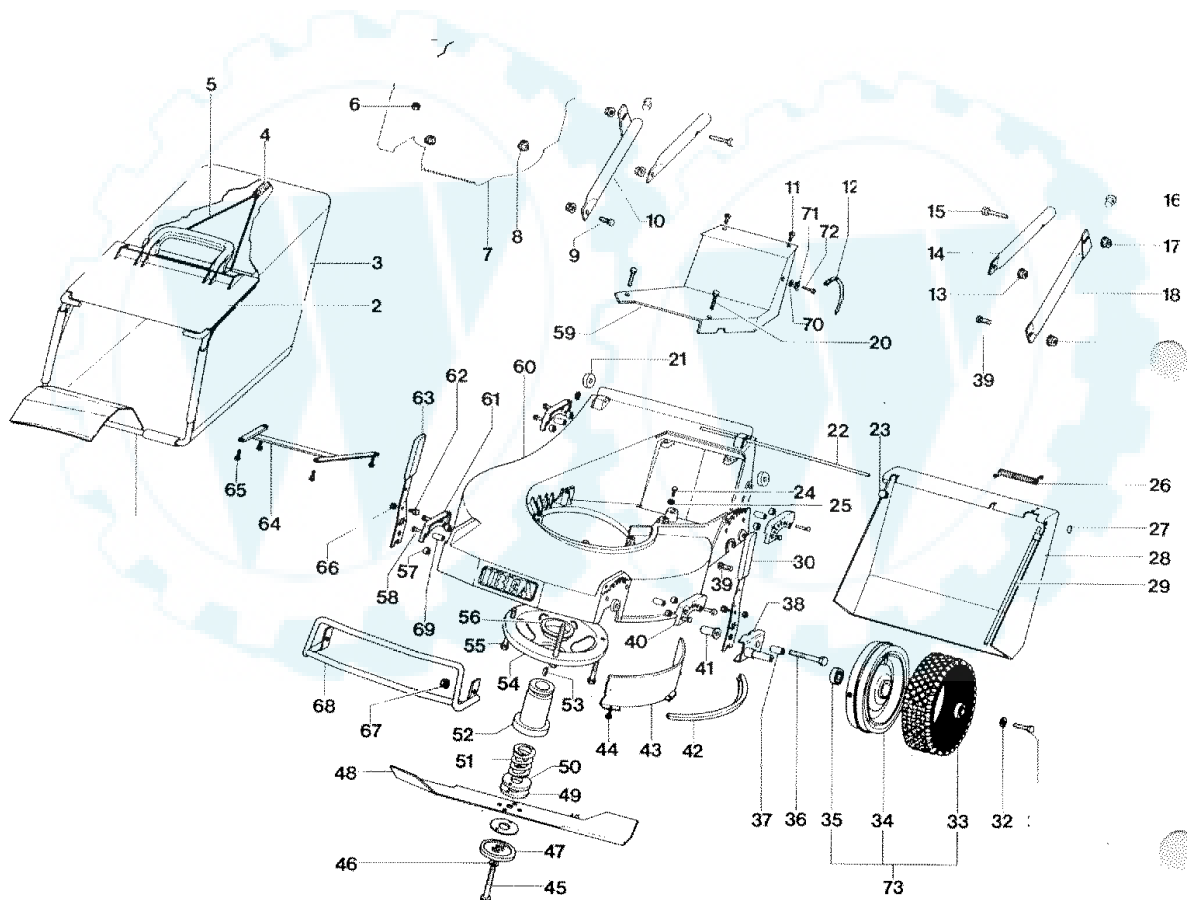
**ATTENTION  
DANGER!**

Couteaux en rotation lorsque le moteur marche! N'utilisez la tondeuse qu'avec le collecteur d'herbe monté ou avec le clapet de protection fermé. Avant de faire une réparation ou des travaux de service à la tondeuse il faut absolument enlever le câble d'allumage de la bougie.

**530**  
**GARDEN-PRO**

Tav. 1

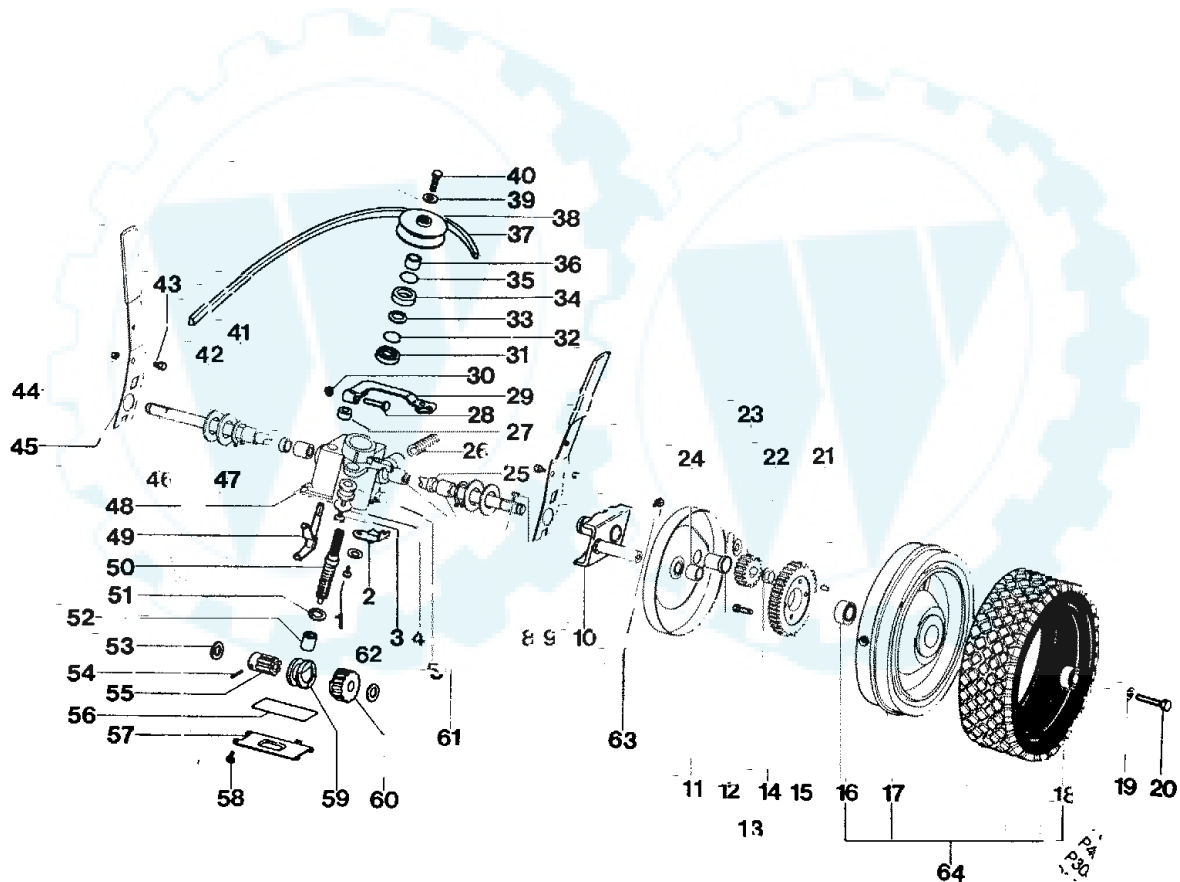
Vista generale  
Complete machine  
Vue d'ensemble  
Gesamtsicht



REF. N°	PART. N°	QTY	DESCRIZIONE	DESCRIPTION	DESCRIPTION	BESCHREIBUNG
1	P1010076		VITE	SCREW	VIS	SCHRAUBE
2	P4030010		COPERCHIO MOLLA	SPRING COVER	COUVERCLE	FEDERHALTER
3	P1010073	1	VITE	SCREW	VIS	SCHRAUBE
4	P1020054	1	RONDELLA	WASHER	RONDELLE	SCHIBE
5	P2040010	1	GOMMINO	RUBBER TUBE	TUBE DE PROTECTION	SCHUTZHUELLE
6	3030003A1	2	CUSCINETTO	BEARING	PALIER	LAGER
7	P3020019	2	MOLLA	SPRING	RESSORT	FEDER
8	P1090005	2	LINGUETTA	KEY	CLAVETTE	SCHIEBENFEDER
9	P00046352		LEVA	LEVER	LEVIER	HEBEL
10	P4020122	2	PORTA RUOTA	WHEEL SUPPORT	SUPPORT POUR ROUE	RADHALTER
11	P01084952	2	COPRI RUOTA	WHEEL COVER	COUVERCLE	RADABDECKUNG
12	P2020070	2	BUSSOLA	BUSHING	DOUILLE	BUECHSE
13	P1010121	4	VITE	SCREW	VIS	SCHRAUBE
14	1020020A1	2	RONDELLA	WASHER	RONDELLE	SCHIBE
15	P3050033	2	RUOTA DENTATA	GEAR	ROUE DENTÉE	RAD
16	P3030018	4	CUSCINETTO	BEARING	PALIER	LAGER
17	P01015252	2	CERCHIONE	WHEEL HUB	JANTE	FELGE
18	P2020146	2	COPERTONE	TYRE	PNEU	REIFEN
19	1020009A1	2	RONDELLA	WASHER	RONDELLE	SCHIBE
20	P1010119	2	VITE	SCREW	VIS	SCHRAUBE
21	P1080010	4	SPINA	PIN	GOUPILLE	STIFT
22	1070001A1	4	SEEGER	CIRCLIP	SEEGER	SEEGER
23	P3050034	2	PIGNONE	PINION	PIGNON	RITZEL
24	P3040120	2	DISTANZIALE	SPACER	DOUILLE	ABSTANDSSTUECK
25	P3170011	2	PARAOLIO	OIL SEAL	JOINT D'ARBRE	WELLENDICHTRING
26	P3020010	1	MOLLA	SPRING	RESSORT	FEDER
27	P3170012	1	PARAOLIO	OIL SEAL	JOINT D'ARBRE	WELLENDICHTRING
28	P1010075	1	VITE	SCREW	VIS	SCHRAUBE
29	P4070011		LEVA	LEVER	LEVIER	HEBEL
30	1050003A1	1	DADO	NUT	ECROU	MUTTER
31	P3030010	1	CUSCINETTO	BEARING	PALIER	LAGER
32	P1070004		SEEGER	CIRCLIP	SEEGER	SEEGER
33	P1020051	1	SPESSORE	WASHER	RONDELLE	SCHIBE
34	P3170010	1	PARAOLIO	OIL SEAL	JOINT D'ARBRE	WELLENDICHTRING
35	P3170013	1	OR	O RING	JOINT TORIQUE	GUMMIRING
36	P3040049	1	DISTANZIALE	SPACER	DOUILLE	ABSTANDSSTUECK
37	P3010020	1	CINGHIA	BELT	COURROIE	RIEMEN
38	P3040122	1	PULEGGIA	PULLEY	POULIE	RIEMENSCHIBE
39	1020007A1	1	RONDELLA	WASHER	RONDELLE	SCHIBE
40	1010018A1	1	VITE	SCREW	VIS	SCHRAUBE
41	P1070011	2	SEEGER	CIRCLIP	SEEGER	SEEGER
42	P3040121	2	DISTANZIALE	SPACER	DOUILLE	ABSTANDSSTUECK
43	P3040199	2	PERNO	BOLT	BOULON	STIFT
44	1050002A1	2	DADO	NUT	ECROU	MUTTER
45	P00046552		LEVA	LEVER	LEVIER	HEBEL
46	P3040127	1	ALBERO DI TRASMISSIONE	TRANSMISSION SHAFT	ARBRE DE TRANSMISSION	WELLE
47	P1020057	2	DISTANZIALE	SPACER	DOUILLE	ABSTANDSSTUECK
48	P00039052		SCATOLA RIDUTTORE	GEAR BOX	BOITE DE RÉDUCTEUR	UNTERSETZUNGSGETRIEBE
49	P3040041		FORCELLA	FORK	FOURCHE	GABEL
50	P3040114		VITE SENZA FINE	WORM GEAR	VIS S. FIN	SCHNECKE
51	P1020053		SPESSORE	WASHER	RONDELLE	SCHIBE
52	P3030019	1	CUSCINETTO	BEARING	PALIER	LAGER
53	1020020A1	2	SPESSORE	WASHER	RONDELLE	SCHIBE
54	P1080013		SPINA	PIN	GOUPILLE	STIFT
55	P00065452	1	BUSSOLA SCANALATA	BUSHING	DOUILLE CANNELÉE	KEILHUELSE
56	P3170014	1	OR	O RING	JOINT TORIQUE	GUMMIRING
57	P4110001	1	COPERCHIO	COVER	COUVERCLE	DECKEL
58	P1010076	4	VITE	SCREW	VIS	SCHRAUBE
59	P00037952		INNESTO	SELECTOR COLLAR	MANCHON	SCHALTBUECHSE
60	P00038252	1	RUOTA ELICOIDALE	HELICOIDAL WHEEL	ROUE HELICOIDALE	SCHNECKENRAD
61	P3030020	2	CUSCINETTO	BEARING	PALIER	LAGER
62	P1020076		RONDELLA	WASHER	RONDELLE	SCHIBE
63	P1010143	2	INGRASSATORE	OILER	GRAISSEUR	FETTBUECHSE
64	P00015752	2	RUOTA COMPLETA	WHEEL ASSY.	ROUE COMPL.	RAD KOMPL.
65	P00078252	1	SCATOLA RIDUTTORE COMPL.	GEAR BOX ASSY.	BOITE DE RÉDUCTEUR COMPL.	UNTERSETZUNGSGETRIEBE

Tav. 2

Vista assale posteriore e riduttore  
Rear axle and gear box  
Essieu arrière et transmission  
Hinterachse und Fahrtrieb

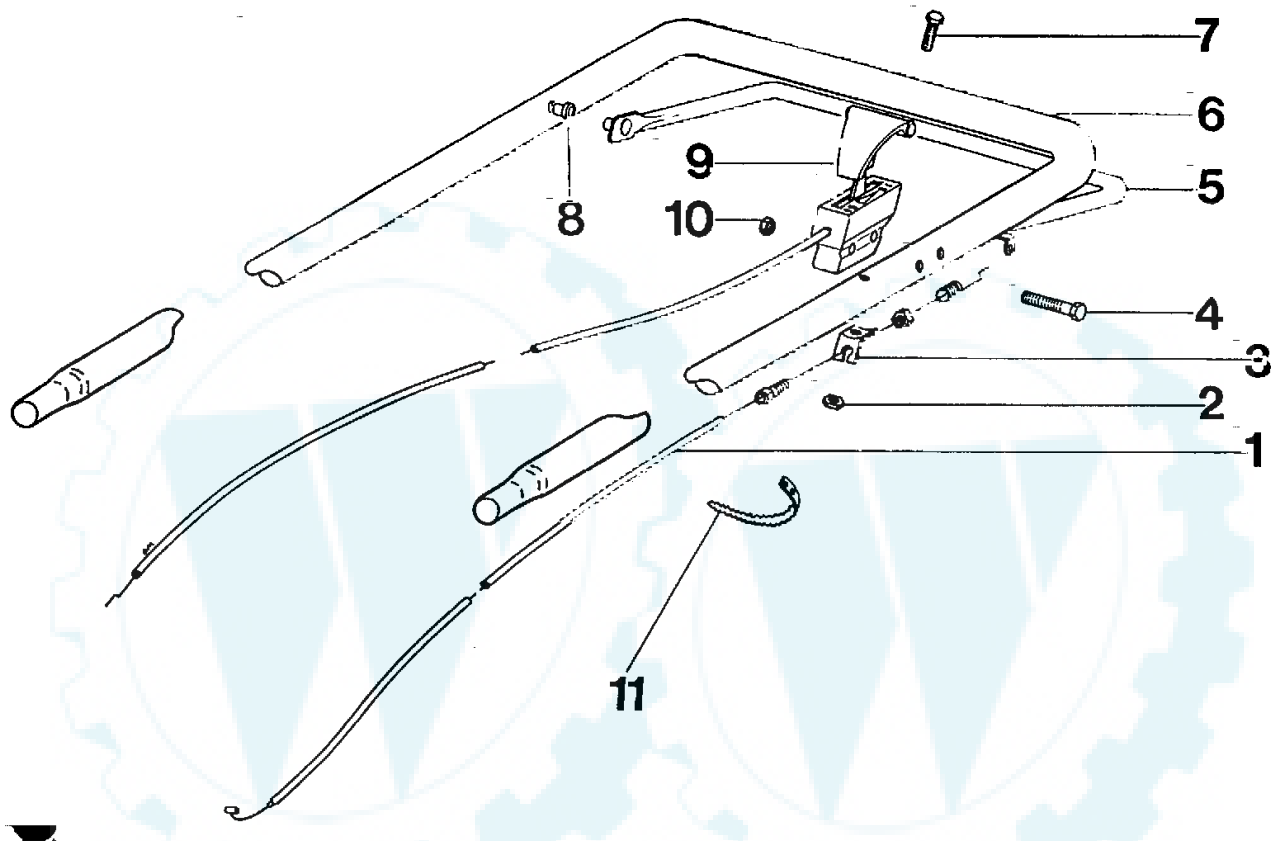


Vista segola superiore e comandi

Upper handle and controls

Mancheron partie supérieur et éléments de commande

Holmoberteil und Bedienungselemente



REF. N°	PART. N°	QTY	DESCRIZIONE	DESCRIPTION	DESCRIPTION	BESCHREIBUNG
1	P5010019	1	CAVO TRAZIONE	TRACTION CABLE	CABLE DE TRACTION	ANTRIEBSKABEL
2	1050003A1	2	DADO	NUT	ECROU	MUTTER
3	P4010060	1	PIASTRINA	PLATE	PLAQUE	PLATTE
4	P1010126	2	VITE	SCREW	VIS	SCHRAUBE
5	P02042052	1	MANIGLIA TRAZIONE	TRACTION LEVER	LEVIER DE TRACTION	ANTRIEBSHEBEL
6	P02070152	1	STEGOLA SUP.	UPPER HANDLEBAR	GUIDON SUP.	OB. FUEHRUNGSHOLM
7	P1010102	1	VITE	SCREW	VIS	SCHRAUBE
8	P3040123	2	BUSSOLA	BUSHING	DOUILLE	BUECHSE
9	P5020036	1	SCATOLA + CAVO ACCELERATORE	GEAR BOX + THROTTLE CABLE	BOITE + CABLE DE GAZ	GASHEBEL
10	1050003A1	2	DADO	NUT	ECROU	MUTTER
11	5040001A1	2	FASCETTA	CLAMP	BRIDE	RAPPBAND

REF. N°	PART N°	QTY	DESCRIZIONE	DESCRIPTION	DESCRIPTION	BESCHREIBUNG
1	P00011276	1	TELAIO	BAG FRAME	MONTURE	GESTELL
2	P2020149	1	DEFLETTORE	SHIELD	DÉFLECTEUR	SCHUTZ
3	P3160034	1	SACCO	BAG	SAC RAMASSE GAZON	GRASFANGSACK
4	P3020014	1	MOLLA	SPRING	RESSORT	FEDER
5	P5050003	1	CAVO	CABLE	CABLE	KABEL
6	P1050013	1	DADO	NUT	ECROU	MUTTER
7		1	MOTORE	ENGINE	MOTEUR	MOTOR
8	P1050011	2	DADO	NUT	ECROU	MUTTER
9	P1010064	1	VITE	SCREW	VIS	SCHRAUBE
10	P02070652	1	TUBO RINFORZO STEGOLA	RIGHT HANDLE REINFORCEMENT	TUBE RENFORCEMENT	VERSTAERKUNG R.
			DX	REINFORCEMENT	DROITE	
11	P1010070	2	VITE	SCREW	VIS	SCHRAUBE
12	5040001A1	1	FASCETTA	CLAMP	BRIDE	RAPPBAND
13	P1050011	2	DADO	NUT	ECROU	MUTTER
14	P02070252	2	STEGOLA INF.	LOWER HANDLEBAR	GUIDON INF.	HOLMUNTERTEIL
15	P1010120	2	VITE	SCREW	VIS	SCHRAUBE
16	P2020142	2	TAPPO	TAP	BOUCHON	STOPFEN
17	P1050011	2	DADO	NUT	ECROU	MUTTER
18	P02070752	1	TUBO RINFORZO STEGOLA	LEFT HANDLE REINFORCEMENT	TUBE RENFORCEMENT	VERSTAERKUNG L.
			SX.	REINFORCEMENT	GAUCHE	
19	P1050011	2	DADO	NUT	ECROU	MUTTER
20	P1010082	2	VITE	SCREW	VIS	SCHRAUBE
21	P3040145	2	DISTANZIALE	SPACER	DOUILLE	ABSTANDSSTUECK
22	P01027076	1	ASTINA	SHAFT	ARBRE	ACHSE
23	P3040074	2	DISTANZIALE	SPACER	DOUILLE	ABSTANDSSTUECK
24	P1010081	1	VITE	SCREW	VIS	SCHRAUBE
25	I020007A1	1	RONDELLA	WASHER	RONDELLE	SCHEIBE
26	P3020011	1	MOLLA	SPRING	RESSORT	FEDER
27	P1060004	2	STARLOCK	STARLOCK	STARLOCK	STARLOCK
28	P02020076	1	PORTELLO	SHIELD	PROTECTION	KLAPPE
29	2040009A1	ml. 0,50	GUARNIZIONE	STRIP	JOINT	DICHTUNG
30	P00046252	1	LEVA ALZA RUOTA SX.	LEVER	LEVIER	HEBEL
31	P1010119	2	VITE	SCREW	VIS	SCHRAUBE
32	I020009A1	2	RONDELLA	WASHER	RONDELLE	SCHEIBE
33	P2020146	2	COPERTONE	TYRE	PNEU	REIFEN
34	P01015152	2	CERCHIONE	WHEEL HUB	JANTE	FELGE
35	P3030018	4	CUSCINETTO	BEARING	PALIER	LAGER
36	P1010123	2	VITE	SCREW	VIS	SCHRAUBE
37	P3040118	2	BUSSOLA	BUSHING	DOUILLE	BUECHSE
38	P4020030	2	PORTA RUOTA ANT.	FRONT WHEEL SUPPORT	SUPPORT POUR ROUE ANT.	RADHALTER
39	P1010125	3	VITE	SCREW	VIS	SCHRAUBE
40	P01032452	2	PIASTRA	PLATE	PLAQUE	PLATTE
41	P3040119	2	BUSSOLA	BUSHING	DOUILLE	BUECHSE
42	P01082252	2	RINFORZO	SUPPORT	SUPPORT	HALTER
43	P01082352	2	RINFORZO	SUPPORT	SUPPORT	HALTER
44	P1010018	6	VITE	SCREW	VIS	SCHRAUBE
45	P1010137	1	VITE LAMA	BLADE SCREW	VIS DE COUTEAU	MESSERSCHRAUBE
46	P1020067	1	RONDELLA SCHNORR	WASHER	RONDELLE	SCHEIBE
47	P3040200	1	RONDELLA LIMITATORE	WASHER	RONDELLE	SCHEIBE
	P500022	1	LAMA	BLADE	COUTEAU	MESSER
	P10130	2	ANELLO FRIZIONE	LIMITED SLIP SPRING	BAGUE	RING
	P3040129	1	ANELLO APPOGGIO	SUPPORT RING	BAGUE	RING
51	P3020020	1	MOLLA	SPRING	RESSORT	FEDER
52	P3040168	1	BUSSOLA LAMA	BLADE BUSHING	DOUILLE DE COUTEAU	MESSERBUECHSE
53	P1090003	1	CHIAVETTA	KEY	CLAVETTE	SCHLUESSEL
54	P01082152	1	FLANGIA GUIDA ALBERO	CONICAL SHAFT SUPPORT	FLASQUE	FLANSCH
55	P1010097	3	VITE	SCREW	VIS	SCHRAUBE
56	P3040126	1	BRONZINA GUIDA ALBERO	BUSHING	COUSSINET	MUTTER
57	P3040133	8	DISTANZIALE	SPACER	DOUILLE	ABSTANDSSTUECK
58	P1020077	12	RIVETTO	RIVET	RIVET	FLACHKNOPFNIET
59	P2020085	1	COPRICINGHIA	BELT COVER	PROTECTION	KEILRIEMEN
60	P02005952	1	SCOCCA	DECK	CHASSIS	GEHAEUSE
61	P01032552	2	PIASTRA	PLATE	PLAQUE	PLATTE
62	P3040199	2	PERNO	BOLT	BOULON	STIFT
63	P00046452	1	LEVA ALZA RUOTA DX.	LEVER	LEVIER	HEBEL
64	P01032276	1	TRAVERSINO	CHASSIS RIB.	REINFORCEMENT	VERSTEIFUNG
65	I010024A1	4	VITE	SCREW	VIS	SCHRAUBE
66	I050002A1	2	DADO	NUT	ECROU	MUTTER
67	P1050012	2	DADO	NUT	ECROU	MUTTER
68	P02070852	1	PARAURTI	BUMPER	HEURTOIR	SCHUTZ
69	P3040220	4	DISTANZIALE	SPACER	DOUILLE	ABSTANDSSTUECK
70	P1060005	1	FISSATORE	SUPPORT	SUPPORT	HALTER
71	P2020087	1	COLLARE	RING	BAGUE	RING
72	P1010085	1	VITE	SCREW	VIS	SCHRAUBE
73	P00015652	1	RUOTA COMPL.	WHEEL ASSY.	ROUE COMPL.	RAD KOMPL.
*	P00011152	1	CESTELLO COMPL.	GRASS BAG COMPL.	SAC RAMASSE COMPL.	GRASFANGSACK KOMPL.