

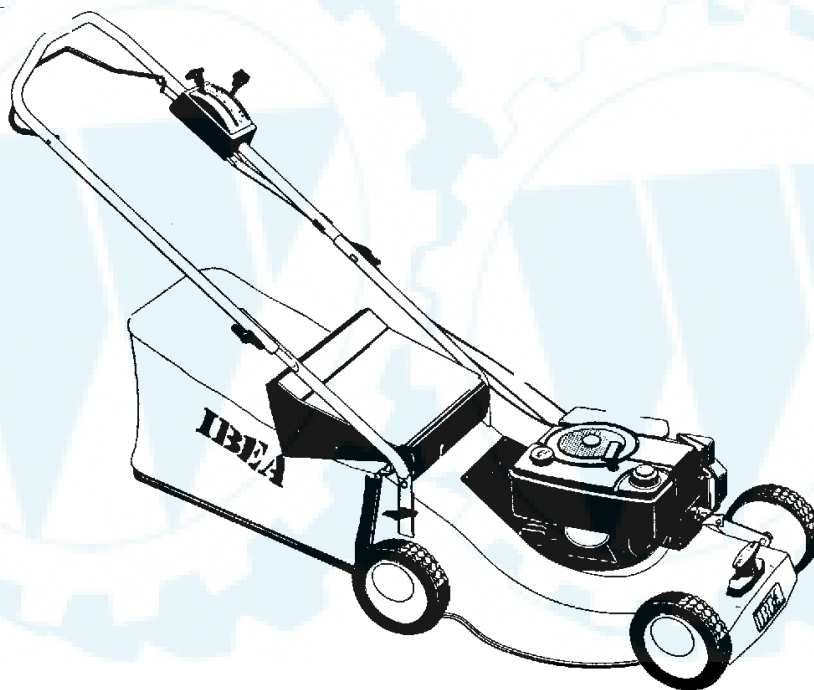
# IBEA

Serie: dal n. 894950

Stampato n. P5090019

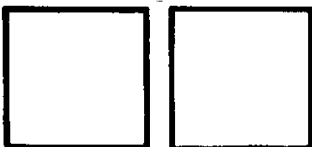
1989

LISTA RICAMBI  
SPARE PART LIST  
ERSATZTEILLISTE  
LISTE DES PIECES DE RECHANGE

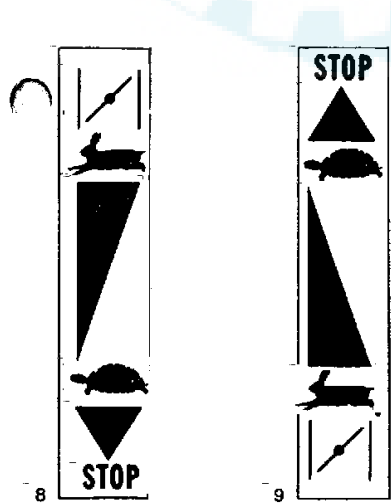
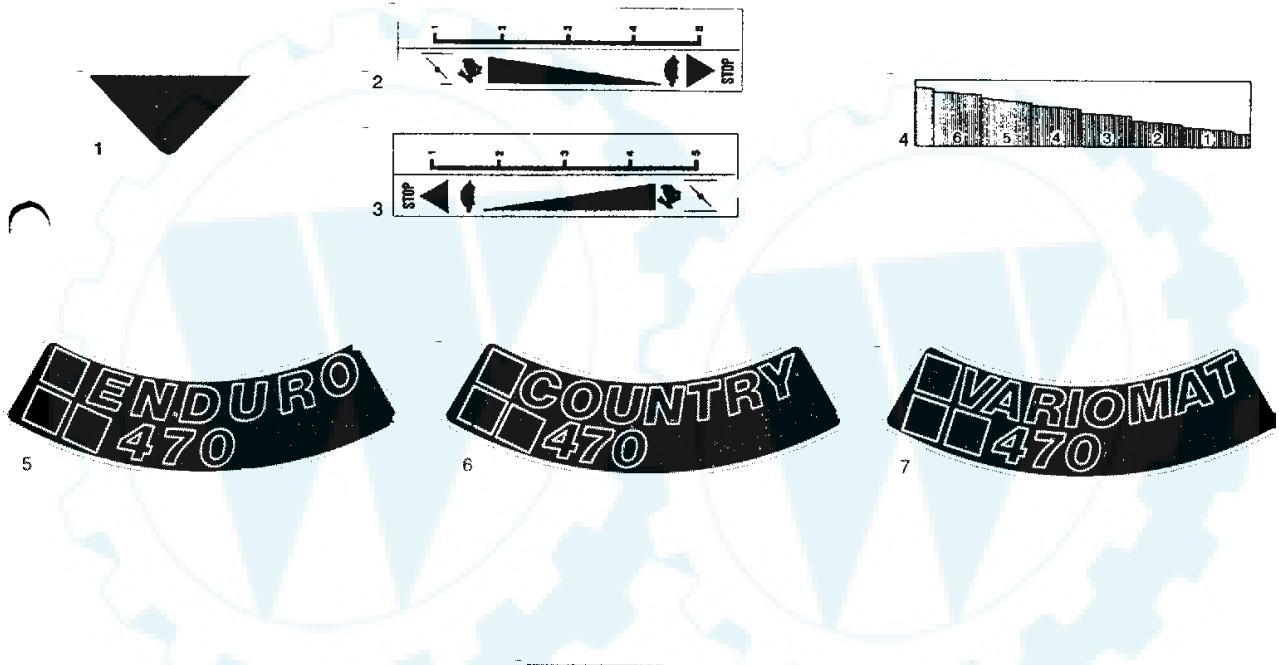


**TOSAERBA**  
**SERIE 470**

mod. **ENDURO**  
mod. **COUNTRY**  
mod. **VARIOMAT**

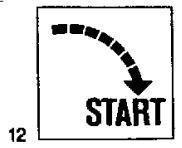


Ref. N°	Part. N°	Qty.	Descrizione	Description	Description	Beschreibung
1	P5140101	1	DECALCO	LABEL	MARQUAGE	AUFKLEBER
2	P5140105	1	DECALCO	LABEL	MARQUAGE	AUFKLEBER
3	P5140104	1	DECALCO	LABEL	MARQUAGE	AUFKLEBER
4	P5140102	1	DECALCO	LABEL	MARQUAGE	AUFKLEBER
5	P5140440	1	DECALCO	LABEL	MARQUAGE	AUFKLEBER
6	P5140460	1	DECALCO	LABEL	MARQUAGE	AUFKLEBER
7	P5140480	1	DECALCO	LABEL	MARQUAGE	AUFKLEBER
8	P5140516	1	DECALCO	LABEL	MARQUAGE	AUFKLEBER
9	P5140515	1	DECALCO	LABEL	MARQUAGE	AUFKLEBER
10	P5140503	3	DECALCO	LABEL	MARQUAGE	AUFKLEBER
11	P5140109	1	DECALCO	LABEL	MARQUAGE	AUFKLEBER
12	P5140110	1	DECALCO	LABEL	MARQUAGE	AUFKLEBER
*	P5090011	1	MANUALE ISTRUZIONI	OPERATION MANUAL	MODE D'EMPLOI	BEDIENUNGSANLEITUNG
*	P5110005	1	CHIAVE CANDELA B&S	KEY B&S	CLEF B&S	SCHLÜSSEL B&S
*	P5110008	1	CHIAVE CANDELA TECNA	KEY TECNA	CLEF TECNA	SCHLÜSSEL TECNA



**10**

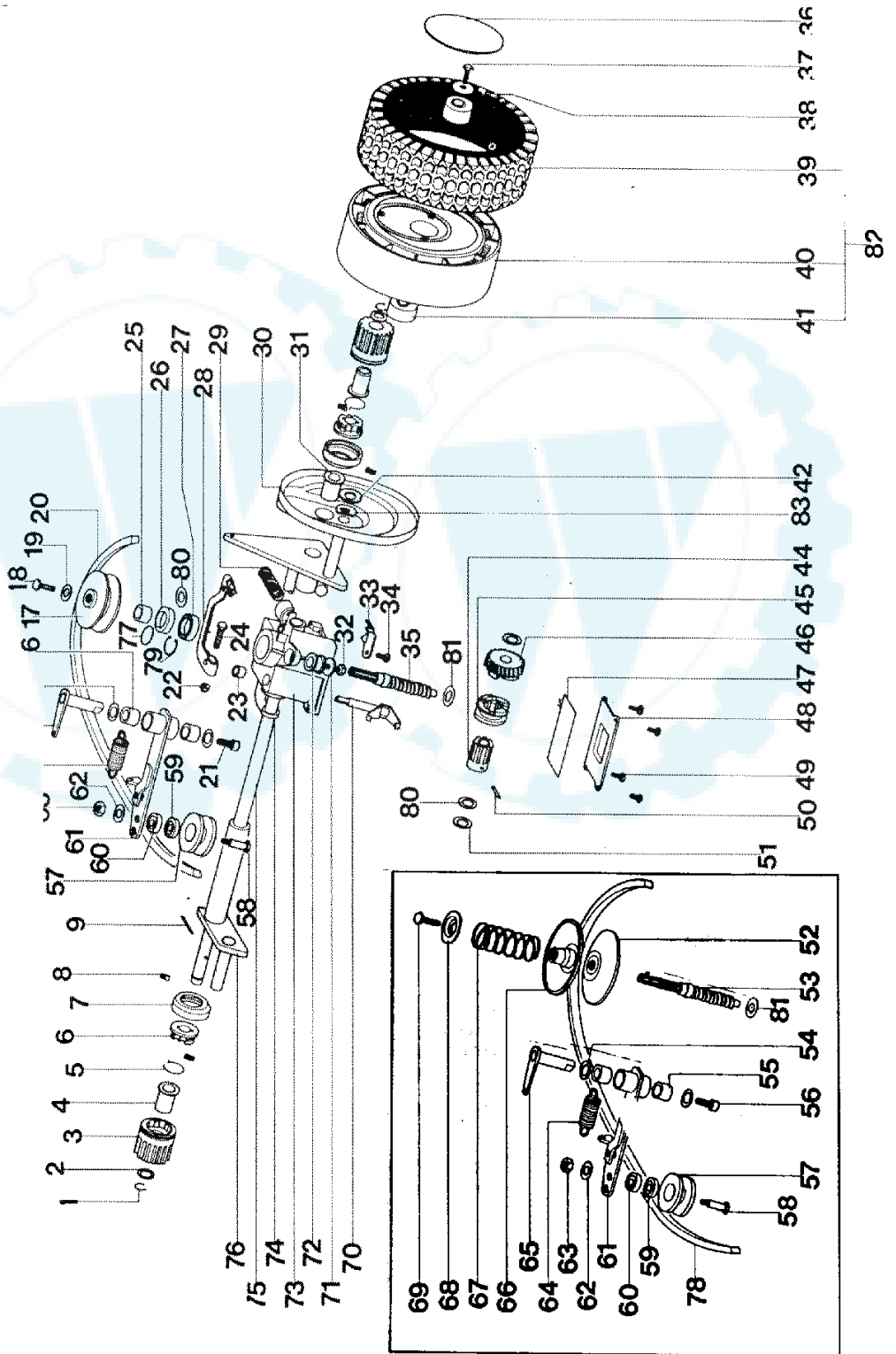
<p><b>WARNING DANGER!</b></p> <p>Blade rotates when engine is running. Only use the mower with grass catcher in place or with safety chafe door closed. Disconnect high tension wire from spark plug before performing any repairs or maintenance to the machine.</p>	<p><b>ATTENZIONE PERICOLO!</b></p> <p>La lama gira quando il motore è in moto. Usate il tosaverba soltanto con il sacco di raccolta montato oppure con il portello di sicurezza chiuso. Prima di ogni riparazione o manutenzione staccate il cavo di accensione dalla candela.</p>	<p><b>VORSICHT! GEFAHR!</b></p> <p>Rotierende Messer bei laufendem Motor! Benutzen Sie den Mäher nur mit dem Aufsammelbehälter oder geschlossener Schutzklappe. Vor Reparatur- oder Servicearbeiten am Mäher unbedingt Zündkabel vom Zündkerze entfernen!</p>	<p><b>ATTENTION DANGER!</b></p> <p>Couteaux en rotation lorsque le moteur marche! N'utilisez la tondeuse qu'avec le collecteur d'herbe monté ou avec le capot de protection fermé. Avant de faire une réparation ou des travaux de service à la tondeuse, il faut absolument enlever le câble d'allumage de la bougie.</p>
---	--	---	--



Ref. N°	Part. N°	Qty.	Descrizione	Description	Description	Beschreibung
	P00011080	1	TELAIO	BAG FRAME	MONTURE	GESTELL
	P3160011	1	SACCO	BAG	SAC RAMASSE-GAZON	GRASFANGSACK
	—	1	MOTORE	ENGINE	MOTEUR	MOTOR
	1020014A1	2	RONDELLA	LOCKWASHER	BAGUE RESSORT	FEDERRING
	P1050011	3	DADO	HEX. NUT	ECROU	MUTTER
	P02070380	1	STEG. INF. DX	LOWER HANDLE BAR R.	GUIDON INF. D.	LENKER-UNTERTEIL R.
	—	—	VEDI TAV. 4-5-6-7	SEE FIG. 4-5-6-7	VOIR TABLE NR. 4-5-6-7	SIEHE BILD NR. 4-5-6-7
	P2040011	MT Q025	GOMMINO	RUBBER TUBE	TUBE DE PROTECTION	SCHUTZHÜLLE
	P3020011	1	MOLLA	SPRING	RESSORT	FEDER
	1010026A1	2	VITE	SCREW	VIS	SCHRAUBE
	P02070480	1	STEG. INFER. SX	LOWER HANDLE BAR L.	GUIDON INF. G.	LENKER-UNTERTEIL L.
	2020050A1	4	GALLETTO	KNOB	POIGNÉE	MUTTER
	P1060004	2	STARLOCK	STARLOCK	STARLOCK	SICHERUNGSSCHEIBE
	P1010064	2	VITE	SCREW	VIS	SCHRAUBE
	P2020058	1	PORTELLO	SHIELD	PROTECTION	KLAPPE
	1020007A1	1	RONDELLA	WASHER	RONDELLE	SCHIBE
	P01027080	1	ASTINA	SHAFT	ARBRE	STAB
	P1010070	2	VITE	SCREW	VIS	SCHRAUBE
	P2020051	1	CARTER	BELT GUARD	PROTECTION	RIEMENABDECKUNG
	P1010071	1	VITE	SCREW	VIS	SCHRAUBE
	P1010072	2	VITE	SCREW	VIS	SCHRAUBE
	P2020053	1	COPERCHIO	COVER	COUVERCLE	DECKEL
	P4080016	2	PIASTRINA	PLATE	PLAQUE	BLECH
	1060002A1	2	STARLOCK	STARLOCK	STARLOCK	SICHERUNGSSCHEIBE
	3040010A1	2	PERNO	PIN	GOUJON	BOLZEN
	P1010073	4	VITE	SCREW	VIS	SCHRAUBE
	P02028180	1	ASTA	CONNECTING ARM	TRINGLE	HEBEL
	P2020062	2	COPRIMOZZO	OUTER WHEEL COVER	COUVERCLE	RADDECKEL
	1010018A1	2	VITE	SCREW	VIS	SCHRAUBE
	1020007A1	2	RONDELLA	WASHER	RONDELLE	SCHIBE
	P2020078	2	COPERTONE	TYRE	PNEU	REIFEN
	P2020079	2	CERCHIO	RIM	JANTE	FELGE
	P3030013	4	CUSCINETTO	BEARING	PALIER	LAGER
	P2020071	2	COPRIRUOTA	WHEELCOVER	PROTECTION	ABDECKUNG
	P2020088	2	DISTANZIALE	SPACER	DOUILLE	DISTANZBÜCHSE
	P1010081	1	VITE	SCREW	VIS	SCHRAUBE
	P00030380	1	ASSALE ANTER.	FRONT AXLE	ARBRE AVANT	ACHSE VORN
	P4050018	1	LAMA	BLADE	COUTEAU	MESSER
	P1020062	1	RONDELLA	LOCKWASHER	RONDELLE RESSORT	MESSER-SCHRAUBE
	1020015A1	1	RONDELLA	LOCKWASHER	RONDELLE RESSORT	FEDERRING
	P1010050	1	VITE LAMA	BLADE SCREW	VIS DE COUTEAU	MESSER-SCHRAUBE
	P3040101	1	BUSSOLA LAMA Ø 25	BLADE HOLDER Ø 25	DOUILLE DE COUTEAU Ø 25	MESSERBÜCHSE Ø 25
	P3040102		BUSSOLA LAMA Ø 22,2	BLADE HOLDER Ø 22,2	DOUILLE DE COUTEAU Ø 22,2	MESSERBÜCHSE Ø 22,2
	1090001A1	1	CHIAVETTA	KEY	CLAVETTE	KEIL
	P1090003	1	CHIAVETTA PER QUANTUM	KEY FOR QUANTUM	CLAVETTE POUR QUANTUM	KEIL FÜR QUANTUM
	P4080015	2	PIASTRINA	SUPPORT	SUPPORT DE L'AXE	ACHSHALTER
	P1010018	1	VITE	SCREW	VIS	SCHRAUBE
	1020007A1	1	RONDELLA	WASHER	RONDELLE	SCHIBE
	P2020055	1	CHIOCCIOLA	NUT	ECROU	MUTTER
	P1010073	4	VITE	SCREW	VIS	SCHRAUBE
	P1070007	1	SEEGER	CIRCLIP	ANNEAU SEEGER	SEEGERRING
	P3030011	1	CUSCINETTO	BEARING	PALIER	LAGER
	P1010097	2	VITE 8x75 QUANTUM	SCREW 8x75 QUANTUM	VIS8x75 QUANTUM	SCHRAUBE 8x75 QUANTUM
	P1010092	1	VITE 8x100 QUANTUM	SCREW 8x100 QUANTUM	VIS 8x100 QUANTUM	SCHRAUBE 8x100 QUANTUM
	P1010097	3	VITE 8x75 TECNA	SCREW 8x75 TECNA	VIS 8x75 TECNA	SCHRAUBE 8x75 TECNA
	P1010099	3	VITE 5/16 2" MITSUBISHI	SCREW 5/16 2" MITSUBISHI	VIS 5/16 2" MITSUBISHI	SCHRAUBE 5/16 2" MITSUBISHI
	P1010101	3	VITE 8x65 2T. (4702-4712)	SCREW 8x65 2T. (4702-4712)	VIS 8x65 2T. (4702-4712)	SCHRAUBE 8x65 2T. (4702-4712)
	1020010A1	1	SPESSORE	SPACER	RONDELLE	SCHIBE
	P4060010	1	MOLLA	SPRING	RESSORT	FEDER
	P02005180	1	SCOCCA	DECK	CHÂSSIS	GEHÄUSE
	P00040080	1	MANIGLIA	GRIP	POIGNÉE	GRIF
	P2020104	1	SCIVOLO ERBA	DEFLECTOR	DEFLECTEUR	LEITBLECH
	P00015181	1	RUOTA COMPLETA	WHEEL ASSY	ROUE CPL.	RAD KOMPL.
	P5120028	1	PROTEZIONE MARMITTA BVS143 - BVS153	MUFFLER SHIELD BVS143 - BVS153	PROTECTION POUR BOÎTE D'ÉCHAPPEMENT POUR BVS143 - BVS153	SCHALLDÄMPFER- SCHUTZ FÜR BVS143 - BVS153
65	P5120027		PROTEZIONE MARMITTA QUANTUM	MUFFLER SHIELD QUANTUM	PROTECTION POUR BOÎTE D'ÉCHAPPEMENT POUR QUANTUM	SCHALLDÄMPFER- SCHUTZ FÜR QUANTUM
67	P1020050 P00010180	2	RONDELLA ELASTICA CESTELLO COMPL.	SPRING WASHER GRASSBAG COMPL.	RONDELLE ÉLASTIQUE SAC RAMASSE-GAZON COMPL.	FEDERSCHIBE GRASFANGSACK KOMPL.

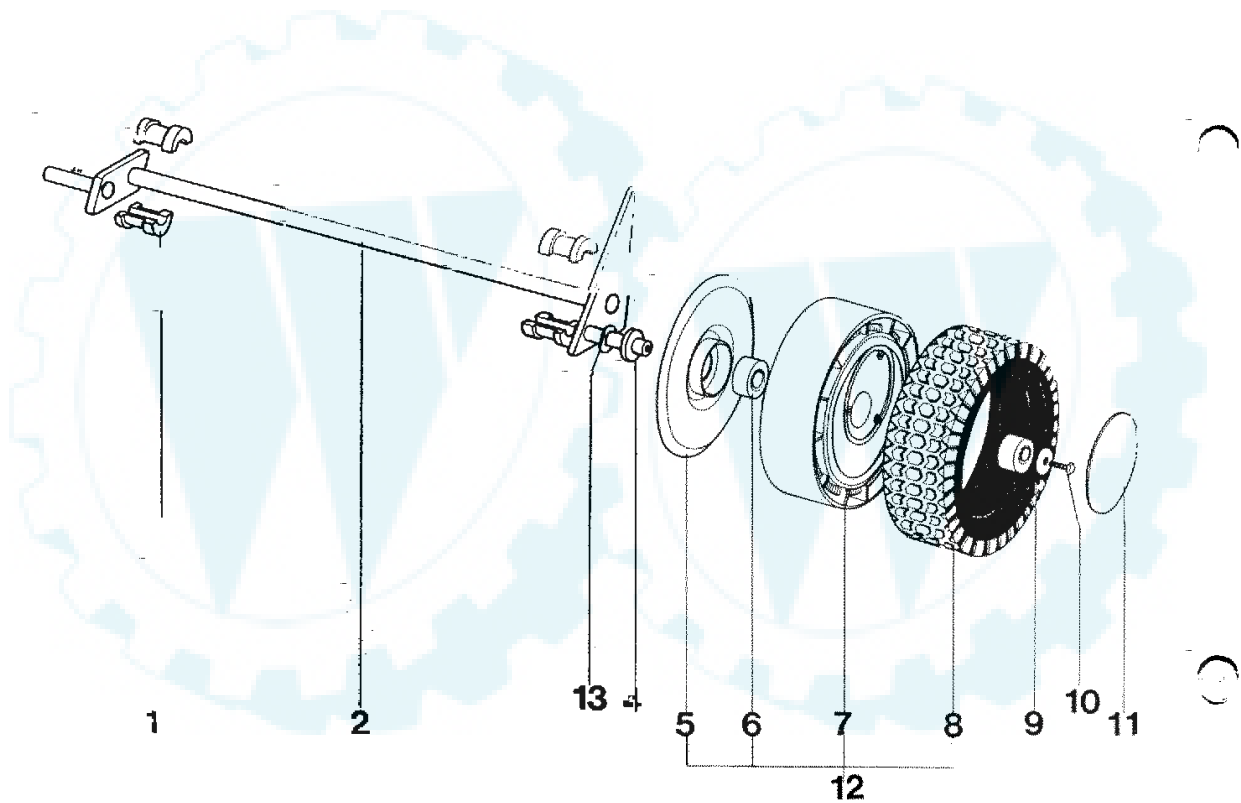
Tav. 2

Vista assiale posteriore e riduttore COUNTRY-VARIOMAT  
Rear axle and gear box COUNTRY-VARIOMAT  
Essieu arrière et transmission COUNTRY-VARIOMAT  
Hinterachse und Fahrgetriebe COUNTRY-VARIOMAT



Ref. N°	Part. N°	Qty.	Descrizione	Description	Description	Beschreibung
1	1070001A1	2	SEEGER	CIRCLIP	ANNEAU SEEGER	SEEGER-RING
2	1020020A1	2	SPESSORE	SHIM WASHER	RONDELLE	AUSGLEICHSCHIBE
3	P3050031	2	PIGNONE	PINION	PIGNON	RITZEL
4	P2020059	2	BUSSOLA	BUSHING	DOUILLE	BÜCHSE
5	P3020012	2	MOLLA	SPRING	RESSORT	FEDER
6	P2100001	2	CRICCHETTO	DRIVER	ENTRAINEUR	MITNEHMER
7	P2020060	2	COPRIPIGNONE	CAGE	CAGE	KÄFIG
8	P2110001	4	SALTERELLO	CAM	CLIQUET	NOCKEN
9	P1080004	2	SPINA	PIN	COUPILLE	STIFT
13	P3020014	1	MOLLA	SPRING	RESSORT	FEDER
14	P4010041	1	PERNO	BOLT	BOULON	BOLZEN
15	1020020A1	2	SPESSORE	SHIM WASHER	RONDELLE	AUSGLEICHSCHIBE
16	1030002A1	2	BOCCOLA	BUSHING	DOUILLE	BÜCHSE
17	P3040048	1	PULEGGIA	PULLEY	POULIE	RIEMENSCHIBE
18	1010018A1	1	VITE	SCREW	VIS	SCHRAUBE
19	1020007A1	1	RONDELLA	WASHER	RONDELLE	SCHIBE
20	P3010011	1	CINGHIA	BELT	COURROIE	KEILRIEMEN
21	P1010074	1	VITE	SCREW	VIS	SCHRAUBE
22	1050003A1	1	DADO	NUT	ECROU	MÜTTER
23	P3170012	1	PARAOLIO	OILSEAL	JOINT D'ARBRE	WELLENDICHRING
24	P1010075	1	VITE	SCREW	VIS	SCHRAUBE
25	P3040049	1	DISTANZIALE	SPACER	DOUILLE	DISTANZBÜCHSE
26	P3170010	1	PARAOLIO	OILSEAL	JOINT D'ARBRE	WELLENDICHRING
27	P3030010	1	CUSCINETTO	BEARING	PALIER	LAGER
28	P4070011	1	LEVA	LEVER	TRINGLE	HEBEL
29	P3020010	1	MOLLA	SPRING	RESSORT	FEDER
30	P4030011	2	COPRIRUOTA	WHEEL COVER	PROTECTION	ABDECKUNG
31	P2020070	2	BUSSOLA	BUSHING	DOUILLE	BÜCHSE
32	P1010073	1	VITE	SCREW	VIS	SCHRAUBE
33	P4030010	1	COPERCHIETTO MOLLA	COVER	COUVERCLE	DECKEL
34	P1010076	1	VITE	SCREW	VIS	SCHRAUBE
35	P3040042	1	VITE S. FINE	WORM GEAR	VIS SANS FIN	SCHNECKE
36	P2020062	2	COPRIMOZZO	COVER	COUVERCLE	RADDECKEL
37	1010018A1	2	VITE	SCREW	VIS	SCHRAUBE
38	1020007A1	2	RONDELLA	SPACER	RONDELLE	SCHIBE
39	P2020078	2	COPERTONE	TYRE	PNEU	REIFEN
40	P2020081	2	CERCHIO	RIM	JANTE	FELGE
41	P3030013	4	CUSCINETTO	BEARING	PALIER	LAGER
42	P2020088	2	DISTANZIALE	SPACER	RONDELLE	DISTANZBÜCHSE
44	P3050030	1	BUSSOLA SCANAL.	BUSHING	DOUILLE CANNELÉE	KEILHÜLSE
45	P00038099	1	INNESTO	SELECTOR COLLAR	MANCHON	SCHALTMUFFE
46	P00038199	1	CORONA	WORM WHEEL	ROUE P. VIS S. FIN	SCHNECKENRAD
47	P3170014	1	O R	O-RING	JOINT TORIQUE	O-RING
48	P4110001	1	COPERCHIO	COVER	COUVERCLE	DECKEL
49	P1010076	4	VITE	SCREW	VIS	SCHRAUBE
50	P1080007	1	SPINA ELASTICA	CLAMPING SLEEVE	COUPILLE ÉLAST.	SPANNHÜLSE
51	1020020A1	2	SPESSORE	SPACER	RONDELLE	SCHIBE
52	P3040051	1	SEMIPIULEGGIA INF.	HALF PULLEY	SEMI-DISQUE	GETEILTE RIEMENSCHIBE
53	P3040043	1	VITE SENZA FINE	WORM GEAR	VIS SANS FIN	SCHNECKE
54	1020020A1	2	SPESSORE	SPACER	RONDELLE	SCHIBE
55	1030002A1	2	BUSSOLA	BUSHING	DOUILLE	BÜCHSE
56	P1010074	1	VITE	SCREW	VIS	SCHRAUBE
57	P3040063	1	PULEGGIA	PULLEY	POULIE	RIEMENSCHIBE
58	P3040068	1	PERNO	BOLT	BOULON	BOLZEN
59	P3030014	1	CUSCINETTO	BEARING	PALIER	LAGER
60	P3040064	1	DISTANZIALE	SPACER	RONDELLE	DISTANZBÜCHSE
61	P4010040	1	LEVA	LEVER	TRINGLE	HEBEL
62	1020008A1	1	RONDELLA	WASHER	RONDELLE	SCHIBE
63	P1050011	1	DADO	HEX. NUT	ECROU	MÜTTER
64	P3020014	1	MOLLA	SPRING	RESSORT	FEDER
65	P4010041	1	PERNO	BOLT	BOULON	BOLZEN
66	P3040050	1	SEMIPIULEGGIA SUPERIORE	HALF PULLEY	SEMI-DISQUE	GETEILTE RIEMENSCHIBE
67	P3020015	1	MOLLA	SPRING	RESSORT	FEDER
68	P4010044	1	RONDELLA PER MOLLA	WASHER	RONDELLE	SCHIBE
69	P1010066	1	VITE	SCREW	VIS	SCHRAUBE
70	P3040041	1	FORCELLA INNESTO	FORK	FOURCHE	GABEL
71	P1020054	1	RONDELLA	WASHER	RONDELLE	SCHIBE
72	P2040010	1	GOMMINO	SHOCK ABSORBER	SILENT BLOCK	SILENTBLOCK
73	P00039099	1	SCATOLA	GEAR BOX HOUSING	BOÎTE À ENGRENAGES	GETRIEBEKASTEN
74	P3170011	2	PARAOLIO	OIL SEAL	JOINT D'ARBRE	WELLENDICHRING
75	P3040047	1	ALBERO	PROP. SHAFT	ARBRE DE COMMANDE	ANTRIEBSWELLE
76	P00030081	1	ASSALE POSTER.	REAR AXLE	ARBE ARRIÈRE	ACHSE HINTEN
77	P3170013	1	O R	O-RING	JOINT TORIQUE	O-RING
78	P3010011	1	CINGHIA	BELT	COURROIE	KEILRIEMEN
79	P1070004	1	SEEGER	CIRCLIP	ANNEAU SEEGER	SEEGER-RING
80	P1020051	2	SPESSORE	SHIM WASHER	RONDELLE	AUSGLEICHSCHIBE
81	P1020053	1	SPESSORE	SHIM WASHER	RONDELLE	AUSGLEICHSCHIBE
82	P00015281	1	RUOTA COMPLETA TRAZIONE	WHEEL & TRACTION TYRE ASSY.	ROUE COMPL.	RAD KOMPL.
83	P1020050	2	RONDELLA ELASTICA	SPRING WASHER	RONDELLÉ ELASTIQUE	FEDERSCHIBE
*	P00078284	1	RIDUTTORE COMPL. PER MONOMARCIA	GEAR BOX ASSY. 1 SPEED	REDUCTION COMPLETE 1 VITESSE	UNTERSETZUNGS-GETRIEBE (1-GANG)
*	P00078182	1	RIDUTTORE COMPL. PER VARIOMATIC	GEAR BOX ASSY. VARIOMATIC	REDUCTION COMPLETE VARIOMATIC	UNTERSETZUNGSGETRIEBE VARIOMAT

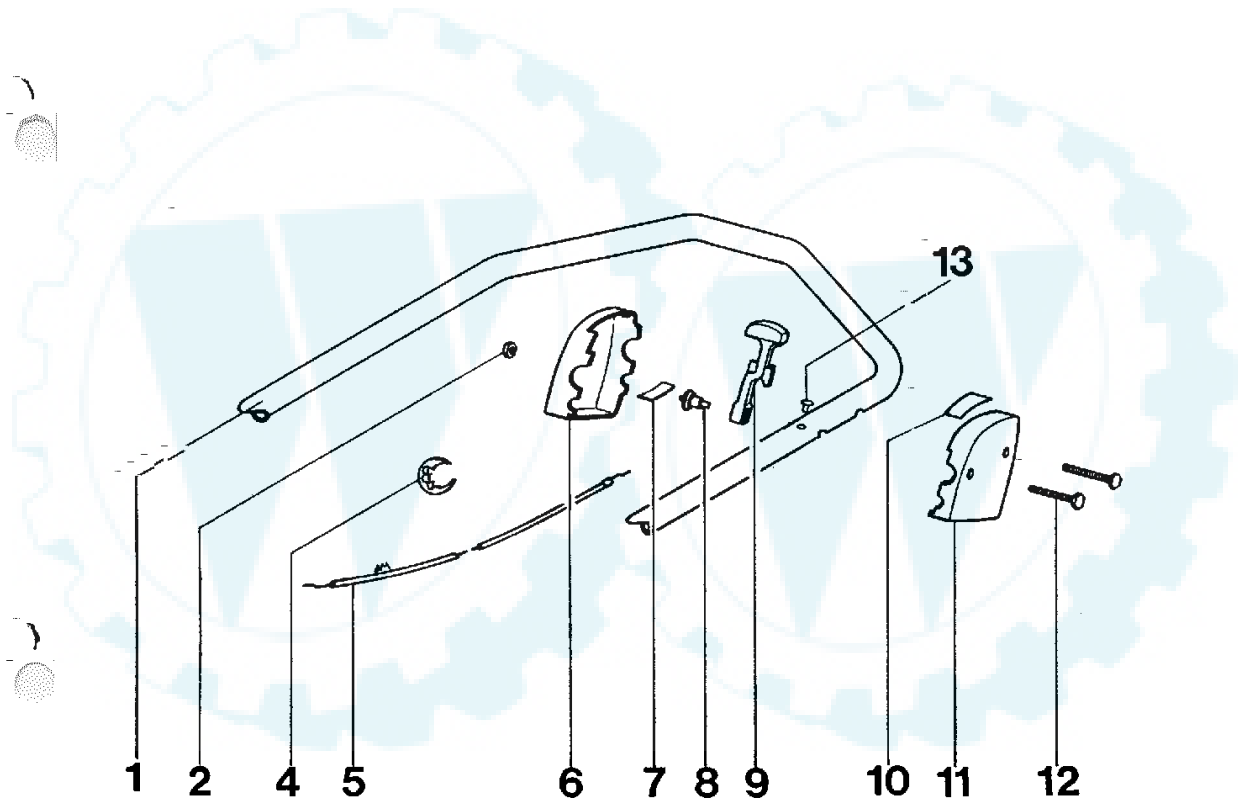
Ref. N°	Part. N°	Qty.	Descrizione	Description	Description	Beschreibung
1	P2020056	4	SEMIBUSSOLA	BUSHING-HALF	DEMI-COUSSINET	HALBSCHALE
2	P00030083	1	ASSALE POSTER.	REAR AXLE	ARBRE ARRIÈRE	ACHSE HINTEN
4	P2020088	2	DISTANZIALE	SPACER	DOUILLE	DISTANZBÜCHSE
5	P2020071	2	COPRIRUOTA	WHEEL COVER	PROTECTION	RADDECKEL
6	P3030013	4	CUSCINETTO	BEARING	PALIER	LAGER
7	P2020079	2	CERCHIO	RIM	JANTE	FELGE
8	P2020078	2	COPERTONE	TYRE	PNEU	REIFEN
9	1020007A1	2	RONDELLA	SPACER	RONDELLE	SCHEIBE
10	1010018A1	2	VITE	SCREW	VIS	SCHRAUBE
11	P2020062	2	COPRIMOZZO	COVER	COUVERCLE	RADDECKEL
12	P00015181	1	RUOTA COMPLETA	WHEEL ASSY	ROUE COMPL.	RAD KOMPL.
13	P1020050	2	RONDELLA ELASTICA	SPRING WASHER	RONDELLE ÉLASTIQUE	FEDERSCHIBE



Tav. 3

Vista assale posteriore ENDURO  
 Rear axle ENDURO  
 Essieu arrière ENDURO  
 Hinterachse ENDURO

Ref. N°	Part. N°	Qty.	Descrizione	Description	Description	Beschreibung
1	P02070161	1	STEGOLA SUP.	LOWER HANDLE BAR	GRUIDE	LENKER UNTERTEIL
2	<del>P1050007</del>	2	DADO M6	HEX NUT	ECROU	MUTTER
4	P2020080	1	FERMO CAVO	CLIP	CLIP	HALTER
5	P5020028	1	CAVO ACC. x4701	CABLE 4701	CABLE 4701	KABEL 4701
5	P5020026	1	CAVO ACC. x4703	CABLE 4703	CABLE 4703	KABEL 4703
5	P5020024	1	CAVO ACC. 4702	CABLE 4702	CABLE 4702	KABEL 4702
6	P2020106	1	SEMISCATOLA DX.	SHELL LEFT	BOITE G.	SCHALE LI.
7	P4010059	1	MOLLA	SPRING	RESSORT	FEDER
8	P2020108	1	PERNO	BOLT	BOULON	BOLZEN
9	P00065099	1	LEVA	LEVER	LEVIER	HEBEL
10	P5140516	1	DECALCO	LABEL	ETIQUETTE	AUFKLEBER
10	P5140515	1	DECALCO	LABEL	ETIQUETTE	AUFKLEBER
11	P2020107	1	SEMISCATOLA SX.	SHELL RIGHT	BOITE D.	SCHALE RE.
12	P1010102	2	VITE 6x35	SCREW 6x35	VIS 6x35	SCHRAUBE 6x35
13	5060001A1	1	TAPPINO	TAP	BOUCHON	STOPFEN
*	P00035099	—	SCATOLA ACC. COMPLETA	ACC. ASSY	ACC. COMPL.	GASHEBEL KOMPL.



Tav. 4

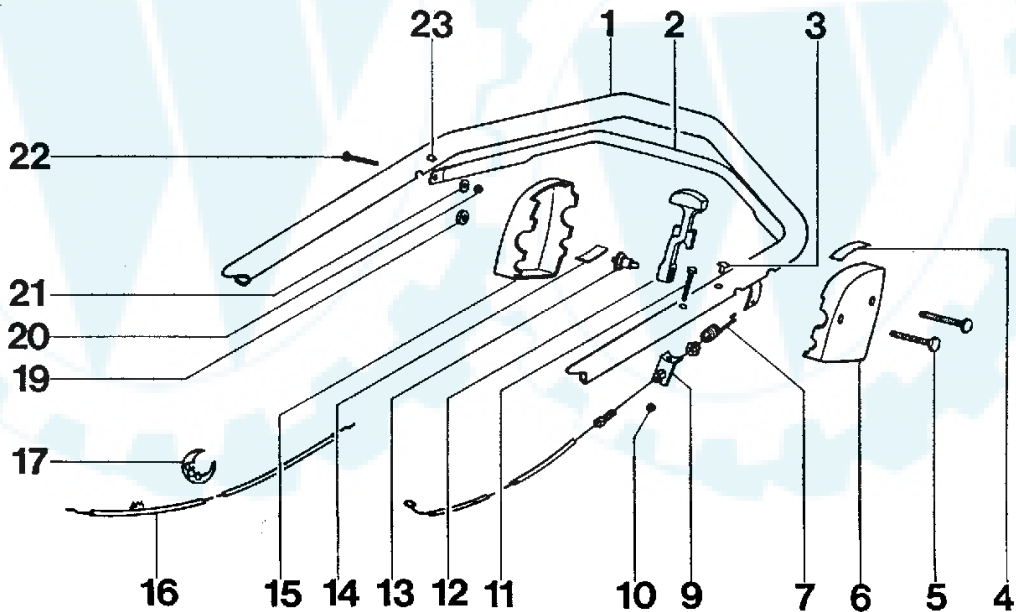
Vista stegola superiore e comandi ENDURO

Upper handle and controls ENDURO

Mancheron partie supérieur et éléments de commande ENDURO

Lenkeroberteil und Bedienungselemente ENDURO

Ref. N°	Part. N°	Qty.	Descrizione	Description	Description	Beschreibung
1	P02070161	1	STEGOLA SUP.	LOWER HANDLE BAR	GUIDON	LENKER UNTERREIL
2	P02042081	1	MANIGLIA	LEVER	LEVIER	HEBEL
3	5060001A1	1	TAPPINO	TAP	BOUCHON	STOPFEN
4	P5140516	1	DECALCO	LABEL	ETIQUETTE	AUFKLEBER
4	P5140515	1	DECALCO	LABEL	ETIQUETTE	AUFKLEBER
5	P1010102	2	VITE	SCREW	VIS	SCHRAUBE
6	P2020107	1	SEMISCATOLA SX.	SHELL LEFT	BOITE G.	SCHALE LI.
7	P5010015	1	CAVO TRAZIONE	CABLE	CABLE	KABEL
9	P4010060	1	PIASTRINA	PLATE	PLAQUE	PLATTE
10	1050003A1	1	DADO	NUT	ECROU	MUTTER
11	P1010078	1	VITE	SCREW	VIS	SCHRAUBE
12	P00065099	1	LEVA	LEVER	LEVIER	HEBEL
13	P2020108	1	PERNO	BOLT	BOULON	BOLZEN
14	P4010059	1	MOLLA	SPRING	RESSORT	FEDER
15	P2020106	1	SEMISCATOLA DX.	SHELL RIGHT	BOITE D.	SCHALE RE.
16	P5020028	1	CAVO ACC. 4707	CABLE 4707	CABLE 4707	KABEL 4707
17	P2020080	2	FERMO CAVO	CLIP	CLIP	HALTER
19	P1050007	2	DADO	NUT	ECROU	MUTTER
20	1050002A1	2	DADO	NUT	ECROU	MUTTER
21	P1020055	2	RONDELLA	WASHER	RONDELLE	SCHIEBE
22	1010002A1	2	VITE	SCREW	VIS	SCHRAUBE
23	P2020076	2	DISTANZIALE	SPACER	RONDELLE	DISTANZRING
*	P00035099	—	SCATOLA ACC. COMPLETA	ACC. ASSY	ACC. COMPL.	GASHEBEL KOMPL.



Tav. 5

Vista stegola superiore e comandi COUNTRY

Upper handle and controls COUNTRY

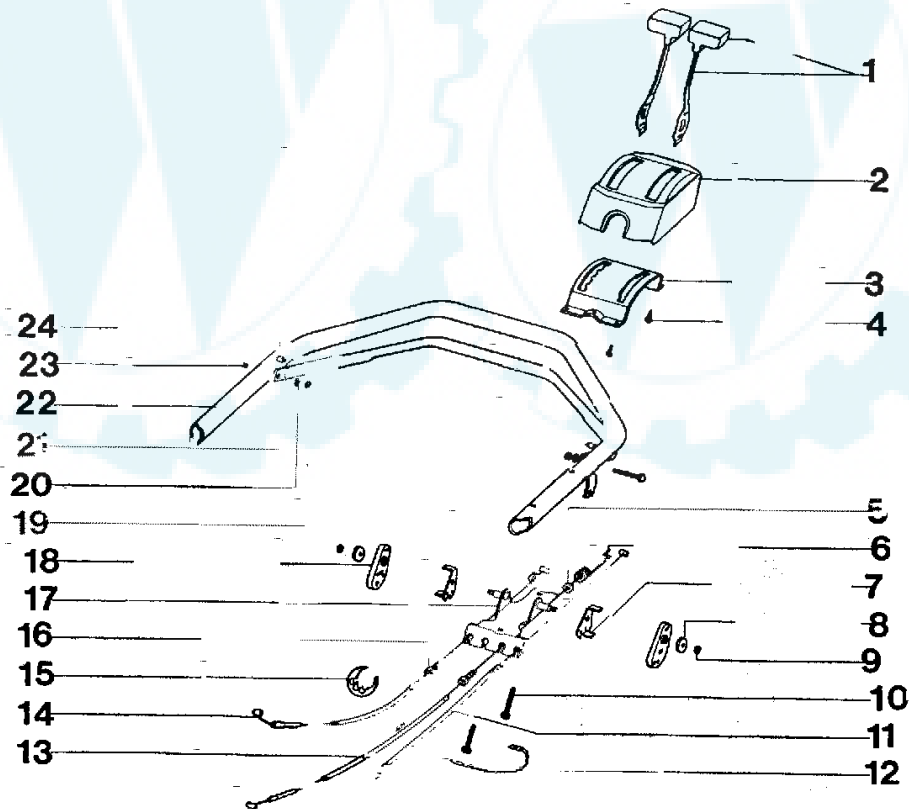
Mancheron partie supérieur et éléments de commande COUNTRY

Lenkeroberteil und Bedienelemente COUNTRY

Ihr Ersatzteilspezialist im Internet



Ref. N°	Part. N°	Qty.	Descrizione	Description	Description	Beschreibung
1	P00044982	2	LEVA COMANDI	TRACTION CONTROL	LEVIER DE COMMANDE	STEUERHEBEL
2	P2020065	1	SCATOLA COMANDI	TRACTION CONTROL HOUSING	BOÎTE DE COM.	STEUERGEHÄUSE
3	P4020011	1	PIASTRA	PLATE	SEMELLE	VERSTÄRKUNG
4	P1010061	4	VITE	SCREW	VIS	SCHRAUBE
5	---	---	---	---	---	---
6	---	---	---	---	---	---
7	P4020012	2	PIASTRINA	PLATE	PLAQUE	BLECH
8	1020007A1	2	RONDELLA	WASHER	RONDELLE	SCHEIBE
9	P1050007	2	DADO	NUT	ECROU	MUTTER
10	P1010068	2	VITE	SCREW	VIS	SCHRAUBE
11	P5020030	1	CAVO ACCELERATORE PER 4712	THROTTLE CABLE FOR 4712	CÂBLE DE GAZ POUR 4712	GASZUG FÜR 4712
11	P5020029	1	CAVO ACCELERATORE PER 4710	THROTTLE CABLE FOR 4710	CÂBLE DE GAZ POUR 4710	GASZUG FÜR 4710
11	P5020018	1	CAVO ACCELERATORE PER 4716	THROTTLE CABLE FOR 4716	CÂBLE DE GAZ POUR 4716	GASZUG FÜR 4716
11	P5020007	1	CAVO ACCELERAT. 4714	CABLE 4714	CABLE 4714	KABEL 4714
12	5040001A1	1	FASCETTA	CABLE STRAP	ATTACHE-GAINE	KABELDINDER
13	P5010010	1	CAVO TRAZIONE	TRACTION CABLE	CÂBLE DE TRACTION	KABEL (ANTRIEB)
14	P5010011	1	CAVO VARIATORE	SPEED VARIATOR CONTROL	CÂBLE DES VITESSES	KABEL (GESCHWINDIGKEIT)
15	P2020080	2	FERMO CAVO	CLIP	BRIDE	SHELLE
16	---	---	---	---	---	---
17	P4020010	1	PORTA SCATOLA	SUPPORT	SUPPORT	HALTER
18	P2020067	2	GUIDA CAVO	CABLE GUIDE	GUIDE-CÂBLE	KABELFÜHRUNG
19	1050002A1	2	DADO	NUT	ECROU	MUTTER
20	P1020055	2	RONDELLA	WASHER	RONDELLE	SCHEIBE
21	P02042081	1	MANIGLIA	TRACTION CONTROL LEVER	LEVIER DE COMMANDE	SCHALTHEBEL
22	P02070161	1	STEGOLA SUPER.	TOP HANDLE BAR	GUIDON SUP.	LENKER OBERTEIL
23	1010002A1	2	VITE	SCREW	VIS	SCHRAUBE
24	P2020076	2	DISTANZIALE	SPACER	RONDELLE	DISTANZBÜCHSE



Tav. 6

Vista stegola superiore e comandi VARIOMAT

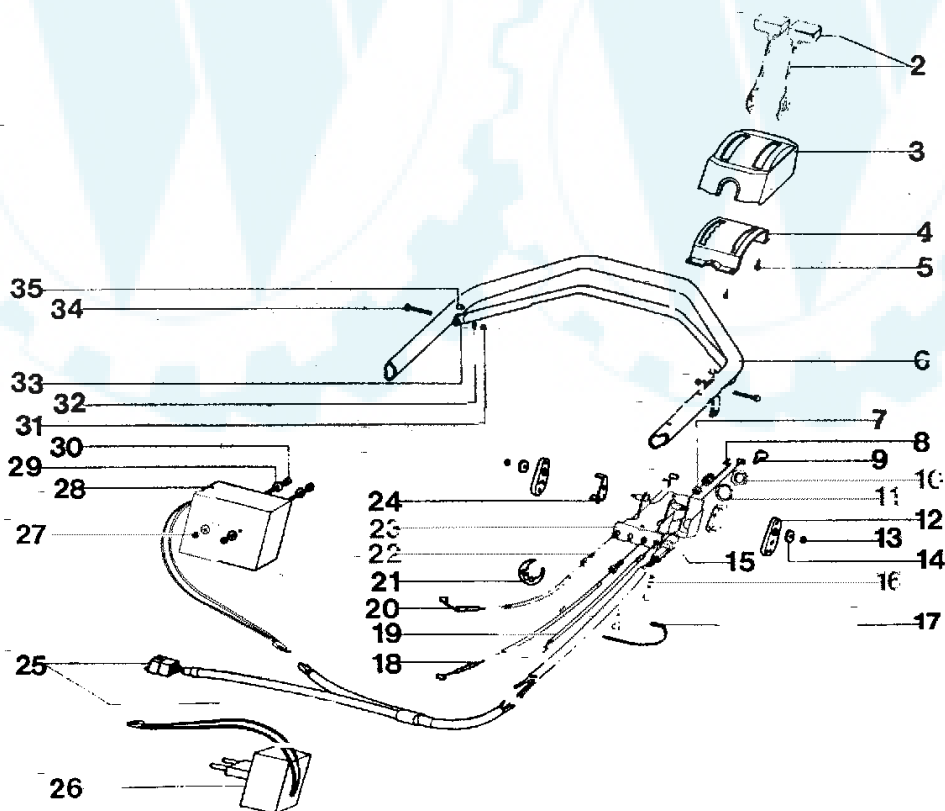
Upper handle and controls VARIOMAT

Mancheron partie supérieure et éléments de commande VARIOMAT

Lenkeroberteil und Bedienungselemente VARIOMAT

Ihr Ersatzteilspezialist im Internet

Ref. N°	Part. N°	Qty.	Descrizione	Description	Description	Beschreibung
2	P00044982	2	LEVA COMANDI	TRACTION CONTROL LEVER	LEVIER DE COMMANDE	STEUERHEBEL
3	P2020065	1	SCATOLA COMANDI	TRACTION CONTROL HOUSING	BOÎTE DE COM.	STEUERGEHÄUSE
4	P4020011	1	PIASTRA	PLATE	SEMELLE	VERSTÄRKUNG
5	P1010061	4	VITE	SCREW	VIS	SCHRAUBE
6	P02070161	1	STEGOLA SUPER.	TOP HANDLE BAR	GUIDON SUP.	LENKER OBERTEIL
7	—	—	—	—	—	—
8	—	—	—	—	—	—
9	P5030011	1	CHIAVE	KEY	CLÉS	SCHLÜSSEL
10	—	—	VEDI PUNTO 15	SEE POINT 15	VOIR POINT 15	SIEHE PUNKT 15
11	—	—	VEDI PUNTO 15	SEE POINT 15	VOIR POINT 15	SIEHE PUNKT 15
12	P2020067	2	GUIDA CAVO	CABLE GUIDE	GUIDE-CÂBLE	KABELFÜHRUNG
13	P1050007	2	DADO	NUT	ECROU	MUTTER
14	1020007A1	2	RONDELLA	WASHER	RONDELLE	SCHIBE
15	P5030010	1	BLOCCETTO COMPL.	KEY SWITCH	INTERRUPTEUR	SCHLÜSSELSCHALTER KOMPL.
16	P1010068	2	VITE	SCREW	VIS	SCHRAUBE
17	5040001A1	3	FASCETTA	CLAMP	BRIDE	SCHELLE
18	P5010010	1	CAVO TRAZIONE	TRACTION CABLE	CABLE DE TRACTION	KABEL (ANTRIEB)
19	P5020007	1	CAVO ACCELERAT. PER 4713-4715	THROTTLE CABLE FOR 4713-4715	COMMANDE DE GAZ POUR 4713-4715	GASZUG FÜR 4713-4715
20	P5010011	1	CAVO VARIATORE	SPEED VARIATOR CONTROL	CÂBLE DES VITESSES	KABEL (GESCHWINDIGKEIT)
21	P2020080	2	FERMO CAVO	CLIP	BRIDE	SCHELLE
22	—	—	—	—	—	—
23	P00064085	1	PORTA SCATOLA	SUPPORT	SUPPORT	HALTER
24	P4020012	2	PIASTRINA	PLATE	PLAQUE	PLATTE
25	P5030006	1	CAVO ELETTRICO	HARNESS WIRE	TRONC DE CÂBLES	ANSCHLUSSKABEL
26	P5030009	1	CARICA BATTERIA	BATTERY CHARGER	CHARGEUR	LADEGERÄT
27	1050002A1	2	DADO	NUT	ECROU	MUTTER
28	P5030008	1	BATTERIA	BATTERY	BATTERIE	BATTERIE
29	P1020055	2	RONDELLA	WASHER	RONDELLE	SCHIBE
30	P1010077	2	VITI	SCREW	VIS	SCHRAUBE
31	1050002A1	2	DADO	NUT	ECROU	MUTTER
32	P1020055	2	RONDELLA	WASHER	RONDELLE	SCHIBE
33	P02042081	1	MANIGLIA	TRACTION CONTROL LEVER	LEVIER DE COMMANDE	SCHALTHEBEL
34	1010002A1	2	VITE	SCREW	VIS	SCHRAUBE
35	P2020076	2	DISTANZIALE	SPACER	RONDELLE	DISTANZBÜCHSE



Tav. 7

Vista stegola superiore e comandi VARIOMAT ELECTRIC START

Upper handle and controls VARIOMAT ELECTRIC START

Mancheron partie supérieur et éléments de commande

VARIOMAT ELECTRIC START

Lenkeroberteil und Bedienungselemente VARIOMAT ELECTRIC START

Tav. 1

Vista generale ENDURO-COUNTRY-VARIOMAT  
Complete machine ENDURO-COUNTRY-VARIOMAT  
Vus d'ensemble ENDURO-COUNTRY-VARIOMAT  
Gesamtansicht ENDURO-COUNTRY-VARIOMAT

